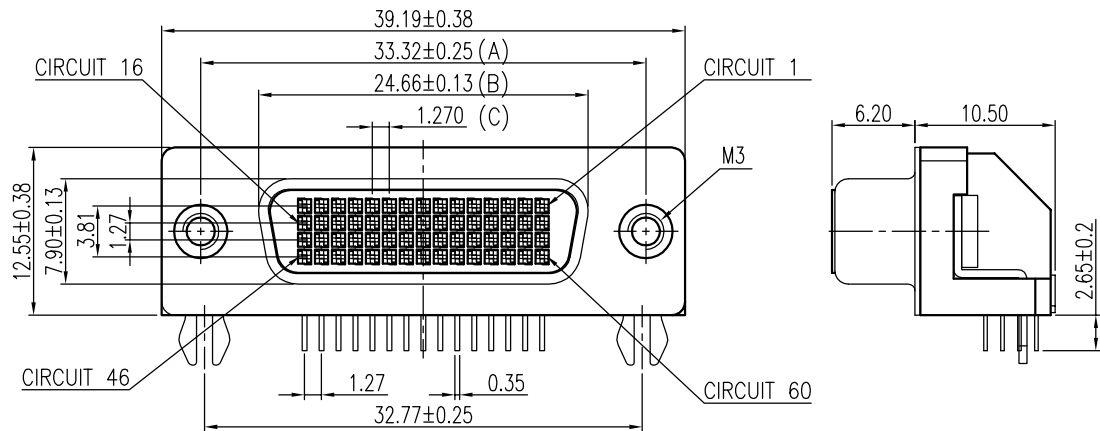
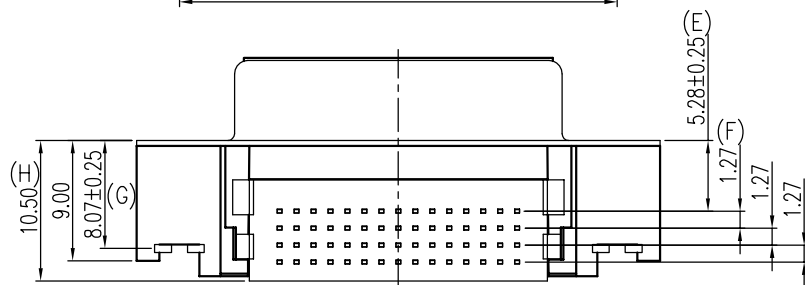


REV.	ECN.NO.	APPD.
A	EXXXXXXXXXX	yangguifeng



### 1.SPECIFICATION

- 2.1 Current Rate: 5 Amps
- 2.2 Insulator Resistance: 1000M  $\Omega$ n.
- 2.3 Dielectric Strength: 500V AC PER MIN
- 2.4 Operation Temperature:  $-55^{\circ}\text{C}\sim+105^{\circ}\text{C}$
- 2.5 Contact Resistance: 30m  $\Omega$ ax



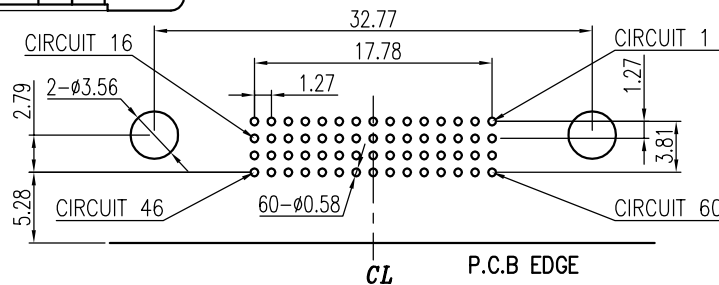
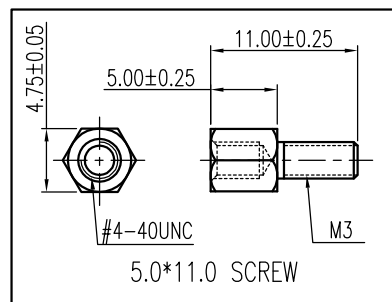
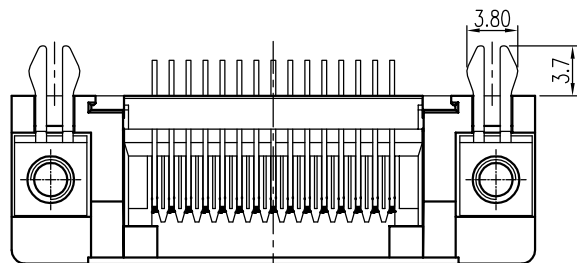
DS615-0331-G638

1: 铁壳镀镍

3: 米黄色

G: 全金G/Fu"

6: LCP



RECOMMENDED P.C.B LAYOUT  
INSPECTION DIMENSION: (A)~(H)

TOLERANCE UNLESS OTHERWISE SPECIFIED		<b>HLW</b> 深圳市华联威电子科技有限公司				
.XXX ±0.10 .XX ±0.20 .X ±0.30		.X' ±3' .XX' ±2'		HUA LIAN WEI TECHNOLOGY ELECTRONICS CO;LTD.		
APPROVED		PART NAME:	DMS 60母铆合卧贴			
CHECKED		PART No:	DS615-0331-G638			C
DRAWN	yangguifeng	PROJECTION:	UNIT:	SCALE	SHEET	REV.
DATE	2021.12.01		mm	1:1	1 OF 1	A