

REV.	ECN. NO.	APPD.
A	EXXXXXXXXXX	yangguifeng

NOTES:

1. MECHANICAL:

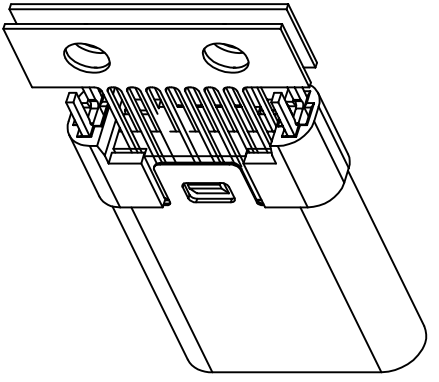
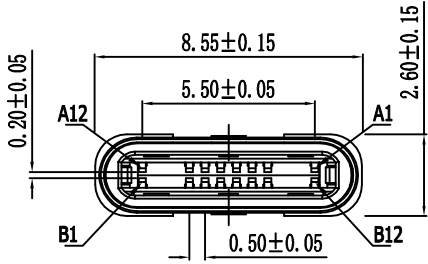
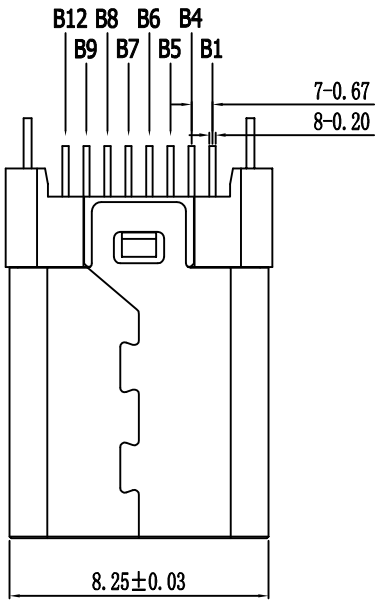
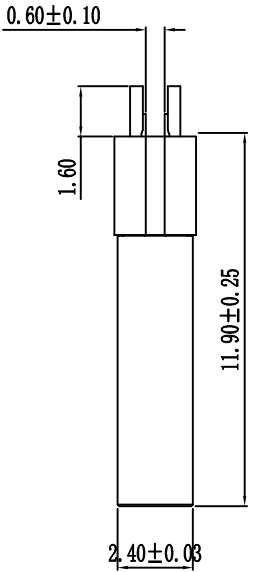
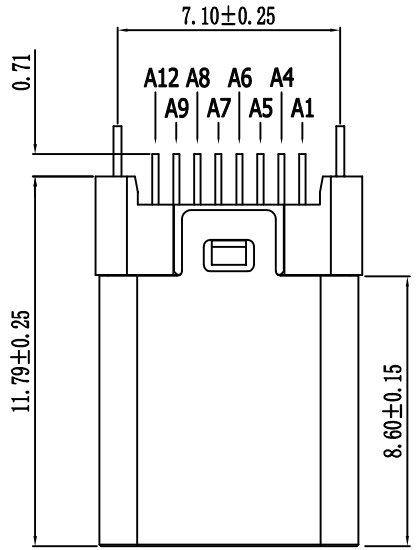
MATING FORCE: 5-20N .  
 UNMATING FORCE: 8-20N .  
 DURABILITY: 10000 CYCLES MIN.

2. ELECTRICAL:

CURRENT: 5.0A MAX  
 VOLTAGE: 20V MAX  
 WITHSTANDING VOLTAGE: 100V AC  
 CONTACT RESISTANCE: 40 mΩ MAX INITIAL;  
 50 mΩ MAX AFTER 10000 CYCLES

3. ENVIRONMENTAL

OPERATING TEMPERATURE RANGE -30°C ~ +80°C



U599-203X-XXX0X8

- 1: 铁壳镀镍
- 5: 铜壳镀镍
- B: 不锈钢镀镍
- 1: 半金1u"
- 3: 半金3u"
- 5: 半金5u"
- G: 半金G/Fu"
- 9: 镀全金1u"
- 4: 镀全亮锡
- 1: PA66
- 2: PBT
- 6: LCP
- 1: 吸塑盒
- 2: 吸塑管
- 3: 载带
- 6: 载带+贴麦拉
- 1: 黑色
- 2: 白色
- 3: 米黄色

USB TYPE C 接线示意图

A4、A9、B9、B4	V
A5	
B5	
A1、A12、B1、B12	G
A6	D+
A7	D-
(R1=56KΩ R3=56KΩ) 5%	

TOLERANCE UNLESS OTHERWISE SPECIFIED		<b>FLW</b> 深圳市华联威电子科技有限公司					
.XXX ±0.10		HUA LIAN WEI TECHNOLOGY ELECTRONICS CO;LTD.					
.XX ±0.20		.X° ±3°		PART NAME:		TYPE C 16P公头夹板0.6	
.X ±0.30		.XX° ±2°		PART No:		U599-203B-G61018	
APPROVED		PROJECTION:	UNIT:	SCALE	SHEET	REV.	
CHECKED		yangguifeng	mm	1:1	1 OF 1	C	
DRAWN		DATE	2021.12.01			A	

F  
E  
D  
C  
B  
A

9 8 7 6 5 4 3 2 1