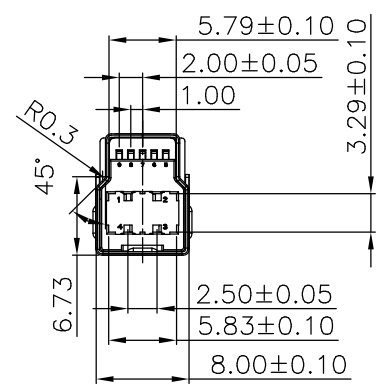
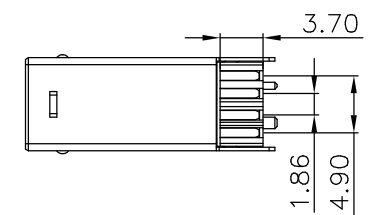
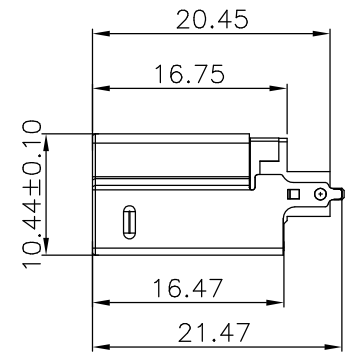
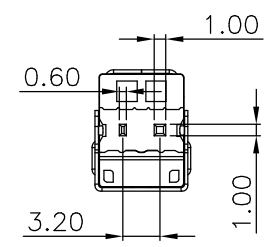
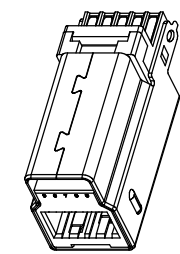
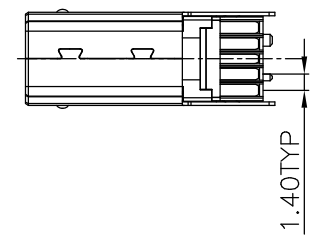


REV.	ECN.NO.	APPD.
A	/	pcy
A1	/	LJF

SPECIFICATIONS:  
 Contact current Rating:  
 1.8 Amperes for pin1&pin4.  
 0.25 Amperes other contacts  
 Dielectric Withstanding Voltage:AC 100V(RMS)  
 Insulation resistance:100Megohms Minimum.  
 Contact Resistance:  
 30mΩ Max for pin1&pin4  
 50mΩMax for other contacts  
 Mechanical Characteristics:  
 Mating Force:35 Newtons.Maximum  
 Unmating Force:10 Newtons.Minimum.  
 8N Min After Durability

MATERIAL:  
 Housing: PBT+30%GF 94V-0 COLOR:BLUE  
 Contact: copper alloy(T=0.25mm)  
 Shell: SPCC  
 PLATING:  
 Contact: Au Plated on contact area  
 Tin Plated on solder area  
 Nickel underplating over all  
 Shell: Nickel Plated  
 operating Temperature:-55°to+85°



U318-092X-XXX0X7

- 1:Iron alloy
- Ni plating
- 5:Copper alloy
- Ni plating
- 1:Au 1u"
- 3:Au 3u"
- 5:Au 5u"
- 7:Au 10u"
- 8:Au 15u"
- A:Au 30u"
- G:Au G/Fu"
- 1:tray
- 1:Black
- 2:White
- 3:Beige
- 7:blue
- 1:PA66
- 2:PBT
- 6:LCP

TOLERANCE UNLESS OTHERWISE SPECIFIED	
.XXX ±0.10	.X' ±3'
.XX ±0.20	.XX' ±2'
.X ±0.30	

**FLW** 深圳市华联威电子科技有限公司  
 HUA LIAN WEI TECHNOLOGY ELECTRONICS CO;LTD.

APPROVED		PART NAME:	USB 3.0 BM焊线短体			
CHECKED		PART No:	U318-0921-X27017			C
DRAWN	Lijinfeng	PROJECTION:	UNIT:	SCALE	SHEET	REV.
DATE	2021.08.03		mm	1:1	10F1	A1