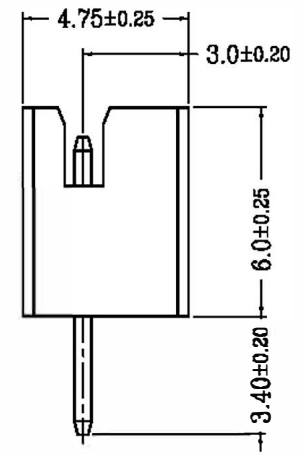
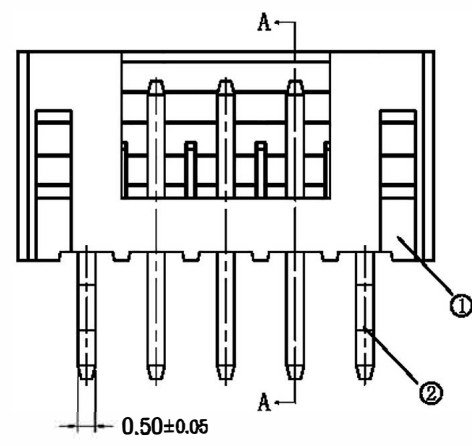
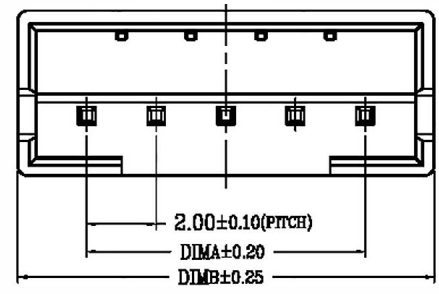


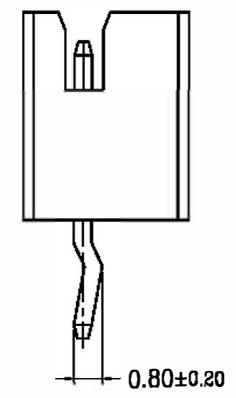
REV.	ECN.NO.	APPD.
A	/	/

NOTES: MATERIAL & FINISH

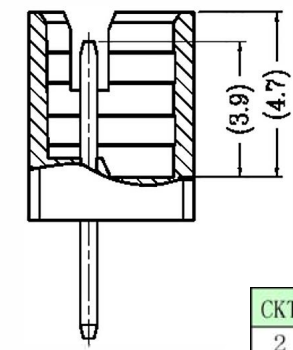
- MATERIAL:
 HDUSIN :LCP(UL 94V-0)
 ACTUATOR:LCP(UL 94V-0)
 TERMINAL:COPPER ALLOY
 SOLDER PIN:COPPER ALLOY
- PLATING:
 TERMINAL:GOLD FLASH OVER NICKEL
 SOLDER PIN:TIN OVER NICKEL LEAD FREE
- ORDER INFORMATION



TYPE 1 (无K脚)

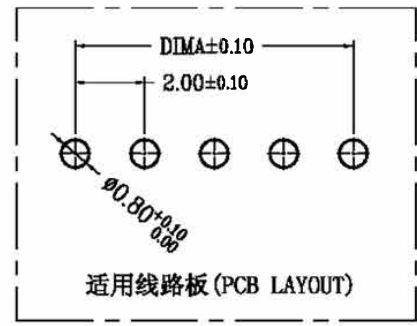
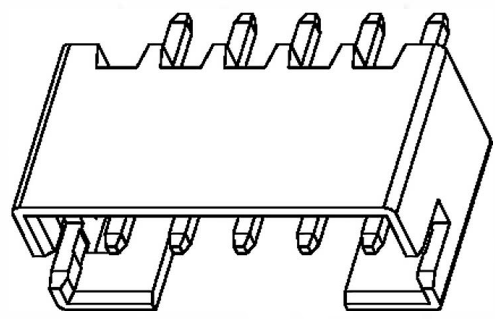


TYPE 2 (打K脚)



SECTION A-A

CKT	A	B	CKT	A	B
2	2.0	6.0	12	22.0	26.0
3	4.0	8.0	13	24.0	28.0
4	6.0	10.0	14	26.0	30.0
5	8.0	12.0	15	28.0	32.0
6	10.0	14.0	16	30.0	34.0
7	12.0	16.0	17	32.0	36.0
8	14.0	18.0	18	34.0	38.0
9	16.0	20.0	19	36.0	40.0
10	18.0	22.0	20	38.0	42.0
11	20.0	24.0			



TOLERANCE UNLESS OTHERWISE SPECIFIED		深圳市华联威电子科技有限公司 HUA LIAN WEI TECHNOLOGY ELECTRONICS CO;LTD.				
.XXX ±0.10	.XX ±0.20	.X ±0.30	.X' ±3'	.XX' ±2'		
APPROVED		PART NAME:	针座 间距2.0直插直针15PIN			
CHECKED		PART No:	216104-1164-G22017	C		
DRAWN	weihong	PROJECTION:	UNIT:	SCALE	SHEET	REV.
DATE	2021.9.23		mm	1:1	10F1	A