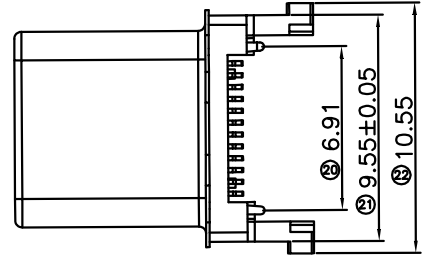
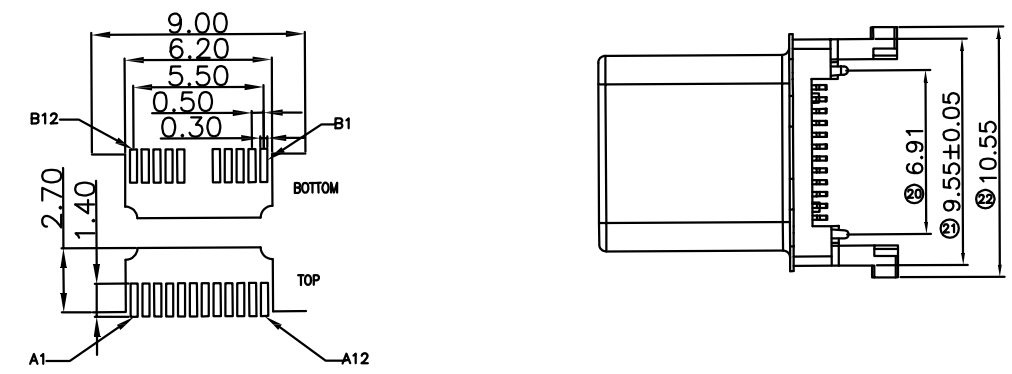
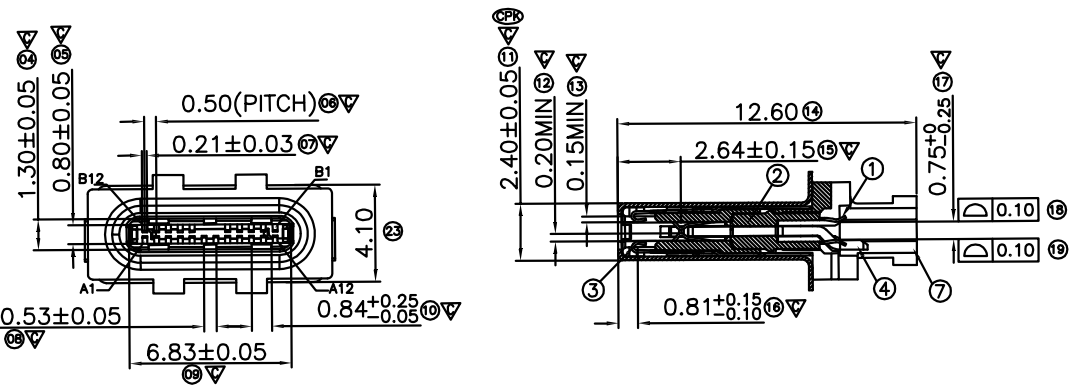
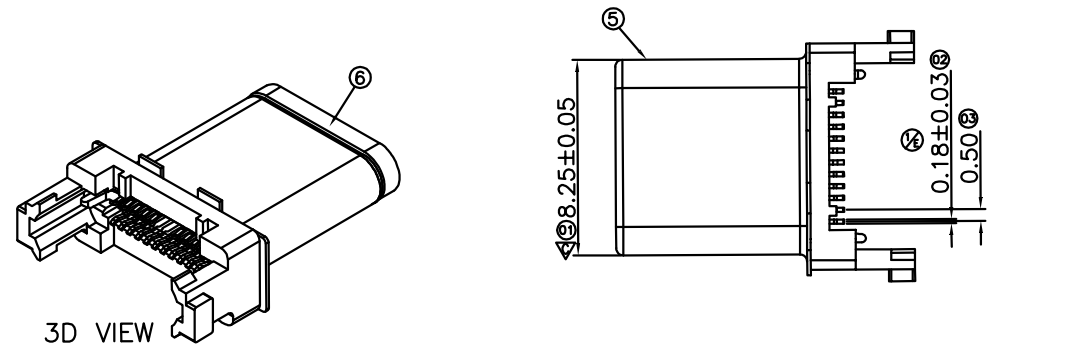


REV.	ECN.NO.	APPD.
A	EXXXXXXXXXX	yangguifeng

NOTES:
 1.MECHANICAL:
 INSERTION: 5~20N.
 EXTRACTION: 6~20N.
 DURABILITY: 10000 CYCLES
 2.ELECTRICAL:
 CURRENT: 5A MIN FOR VBUS;
 0.25A MIN FOR OTHER.
 VOLTAGE: 5VAC MAX
 WITHSTANDING VOLTAGE: 100V AC.
 CONTACT RESISTANCE: 40 mΩ,MAX.
 INSULATION RESISTANCE: 100MΩ,MIN.
 3.ENVIRONMENTAL
 TEMPERATURE RANGE -55°C ~ +85°C
 4.DRAWINGS MARKED "⊗" FOR FAI DIMENSION.
 5.DRAWINGS MARKED "▽" FOR QIP DIMENSION.
 6.DRAWINGS MARKED "⊕" FOR CAP DIMENSION.



- U599-214X-XXX0X8
- 1:铁壳镀镍
 - 5:铜壳镀镍
 - B:不锈钢镀镍
 - 1:半金1u"
 - 3:半金3u"
 - 5:半金5u"
 - G:半金G/Fu"
 - 9:镀全金1u"
 - 2:镀锡
 - 1:PA66
 - 2:PBT
 - 6:LCP
 - 1:吸塑盒
 - 2:吸塑管
 - 3:载带
 - 6:载带+贴麦拉
 - 1:黑色
 - 2:白色
 - 3:米黄色

B12	B11	B10	B9	B8	B7	B6	B5	B4	B3	B2	B1
GND	RX1+	RX1-	Vbus	SBU2			Vconn	Vbus	TX2-	TX2+	GND
GND	TX1+	TX1-	Vbus	CC	D+	D-	SBU1	Vbus	RX2-	RX2+	GND
A1	A2	A3	A4	A5	A6	A7	A8	A9	A10	A11	A12

TOLERANCE UNLESS OTHERWISE SPECIFIED		FLW 深圳市华联威电子科技有限公司			
.XXX ±0.10 .XX ±0.20 .X ±0.30		.X' ±3' .XX' ±2'		HUA LIAN WEI TECHNOLOGY ELECTRONICS CO;LTD.	
APPROVED		PART NAME:	TYPE C 22P公头拉伸不带板		
CHECKED		PART No:	U599-214B-G61038	C	
DRAWN	yangguifeng	PROJECTION:	UNIT:	SCALE:	SHEET:
DATE	2021.12.01		mm	1:1	1 OF 1
					REV. A

由 Autodesk 教育版产品制作

由 Autodesk 教育版产品制作