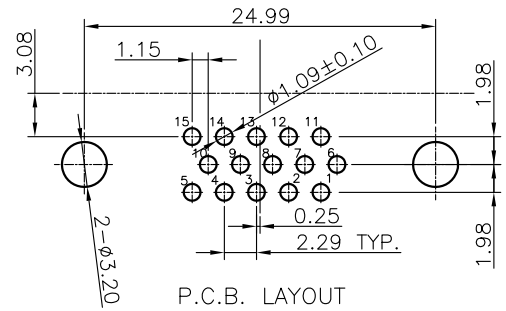
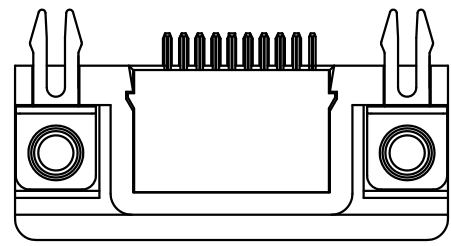
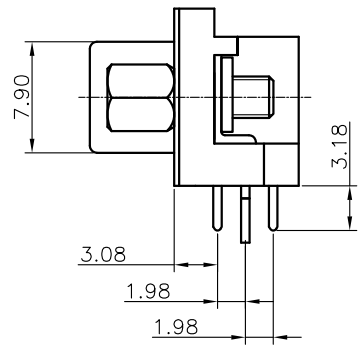
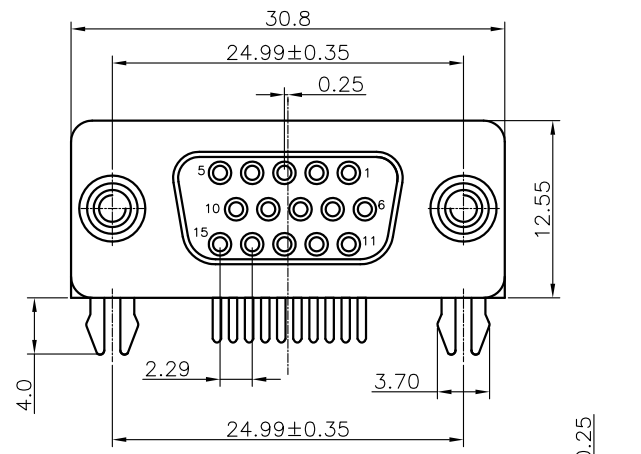


9	8	7	6	5	4	3	2	1
ECN.NO.		ECN DESCRIPTION			REV.	DATE	APPD.	
/		/			A1	2021.11.03	LXQ	



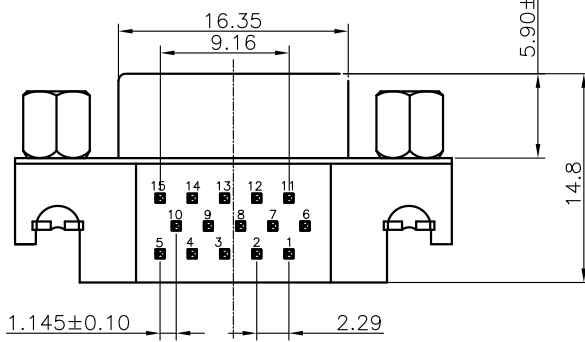
1.SPECIFICATION

- 2.1 Current Rate:5 Amps
- 2.2 Insulator Resistance:1000MΩ Min.
- 2.3 Dielectric Strength:500V AC PER MIN
- 2.4 Operation Temperature:-55℃~+105℃
- 2.5 Contact Resistance:30mΩ Max



DS412-0930-12P11

- 1: 吸塑盒
- P: 蓝色2728C
- 2: PBT



05	Board Lock	Spcc	2	Tin Plated 100U"
04	Rivet	Spcc	2	Nickel Plated 50U"
03	Contact	Copper Alloy	15	Gold plated in contact area 1U"/ Tin plated in termination 100U"/ Nickel Plated overall 50U"
02	Housing	PBT	1	PBT
01	Shell	SPCC	1	Nickel Plated 50U"
序号 NO.	品名 PART NAME	材料 MATERIAL	数量 Q TY	备注说明 NOTE

TOLERANCE UNLESS OTHERWISE SPECIFIED		深圳市华联威电子科技有限公司 HUA LIAN WEI TECHNOLOGY ELECTRONICS CO;LTD.				
.XXX ±0.10	.XX ±0.25	.X ±0.30	.X' ±2'	.XX' ±1'		
APPROVED		PART NAME:	D-SUB 15F 3.08柳锁			
CHECKED		PART No:	DS412-0930-12P11			C
DRAWN	weihong	PROJECTION:	UNIT:	SCALE	SHEET	REV.
DATE	2021.11.03		mm	1:1	10F1	A1