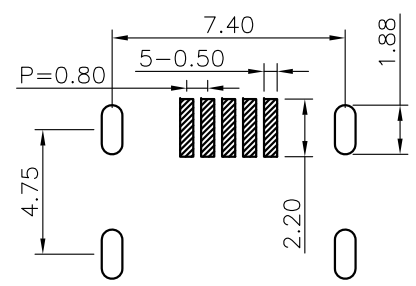
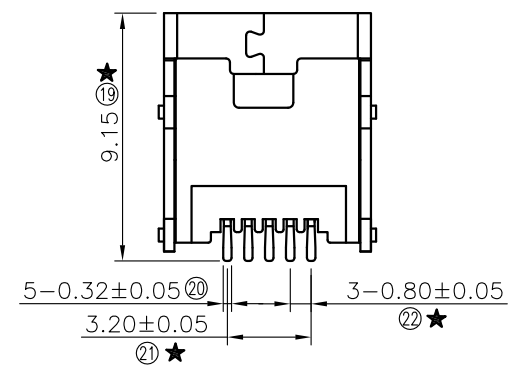
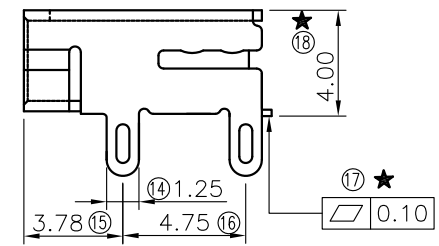
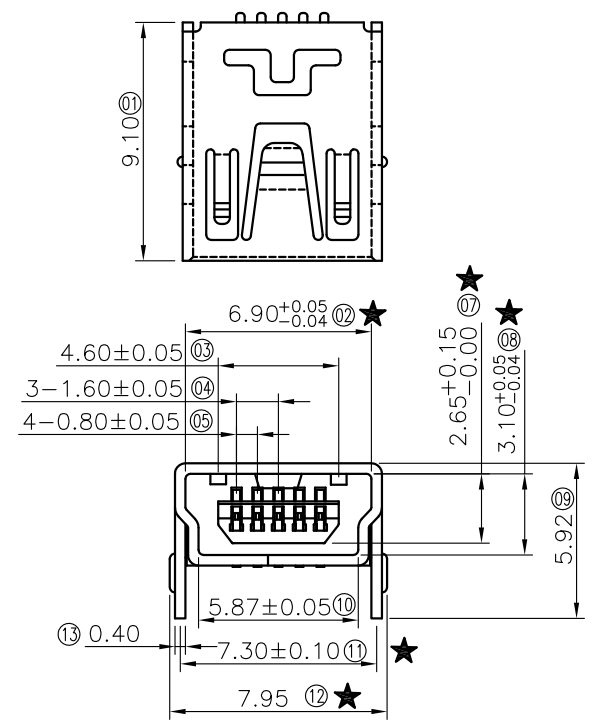


REV.	ECN.NO.	APPD.
A0	/	/



PCB LAYOUT

NOTES:

- 1.MATERIAL:
 - 1.1 Housing: thermoplastic plastics,
 - 1.2 terminals:Copper Alloy
Gold plated overall
 - 1.3 Shell:Steel&Copper Alloy
Nickel/Tin Plated overall
- 2.ELECTRICAL CHARACTERISTICS:
 - 2.1 Rating Current :1.5 Ampere
 - 2.2 Rating Voltage :30 V Max
 - 2.3 Contact Resistance:50 Milli ohms
 - 2.4 Insulation Resistance:100 Mega ohms Min.
- 3.MECHANICAL CHARACTERISTICS:
 - 3.1 Connector Mating force: 35N MAX
 - 3.2 Connector Unmating force:7N min
- 4.ENVIRONMENT CHARACTERISTICS:
 - 4.1 Operating temperature:-0°C to +50°C
 - 4.2 Storage temperature:-20°C to +60°C

U141-1015-G61018

- 5: 铜壳镀镍
- G: 半金G/Fu
- 1: 吸塑盒
- 1: 黑色
- 6: LCP

TOLERANCE UNLESS OTHERWISE SPECIFIED		HLW 深圳市华联威电子科技有限公司			
.XXX ±0.10 .XX ±0.20 .X ±0.30		.X' ±3' .XX' ±2'		HUA LIAN WEI TECHNOLOGY ELECTRONICS CO;LTD.	
APPROVED		PART NAME:	MINI USB 5P/F B型 四脚贴片(无柱)		
CHECKED		PART No:	U141-1015-G61018	C	
DRAWN	chenyiting	PROJECTION:	UNIT:	SCALE	SHEET
DATE	2023.04.20		mm	1:1	10F1