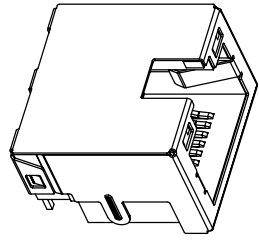
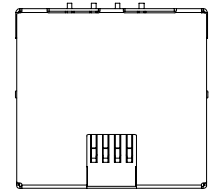
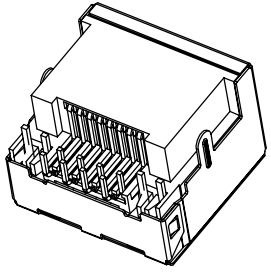


REV.	ECN.NO.	APPD.
A	/	/



NOTES:

- HOUSING MATERIAL:GLASS FILLED POLYESTER UL94V-0.
- CONTACT MATERIAL:COPPER ALLOY,T=0.35.
- PLATING: GOLD PLATED ON CONTACT AREA, 100u"MIN. TIN PLATED ON SOLDERING AREA, 50u"MIN. NICKEL PLATED OVERALL.
- SHELL:COPPER ALLOY,T=0.20. 30u"MIN. NICKEL PLATED OVERALL.
- LED:LED:透明黄灯, 透明绿灯, T=0.40mm.耐温260° 3~5s.亮锡电镀.

ELECTRICAL:

- VOLTAGE RATING: 125V AC RMS.
- CURRENT RAING: 1.5AMP.
- CONTACT RESISTANCE: 30MILLIOHMS MAX.
- INSULATION RESISTANCE: 500MEGOHMS MIN @500V DC.

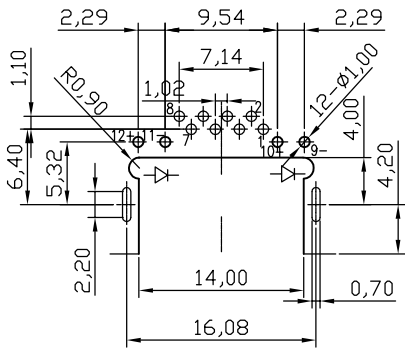
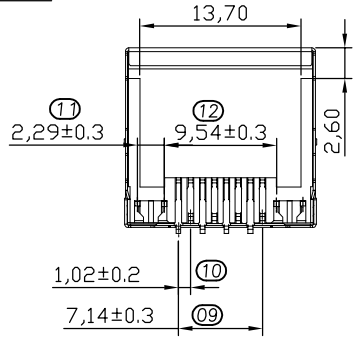
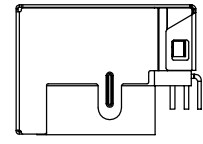
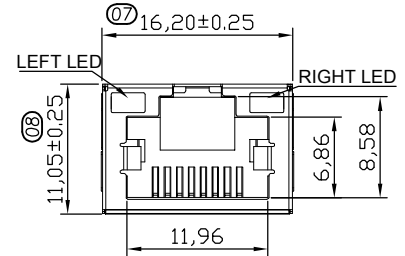
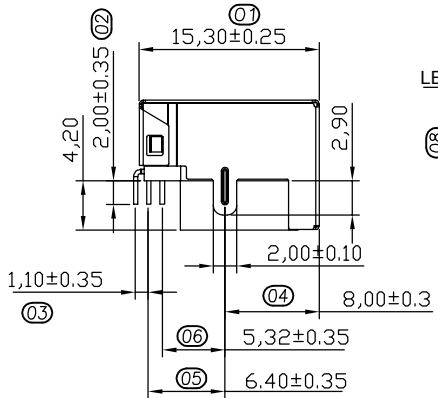
MECHANICAL:

- DURRABILITY: 750 CYCLES MIN.
- INSERTION FORCE : 22N MAX.
- REMOVAL FORCE(WITHOUT PLUG LOCK) : 22N MAX.

ENVIRONMENTAL:

- STORAGE: -40°C~85°C
- OPERATION: -40°C~85°C

*Apply to the EU standards(ROSH)



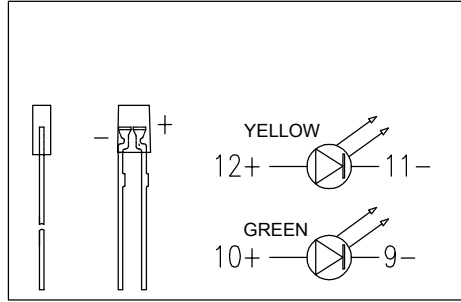
PCBLAYOUT TOP VIEW
TOL:±0.05

脚位尺寸以过孔规为准

2RJ-0055-DX8

A:PBT
B:PA46
D:LCP

0:吸塑盘
8:载带



TOLERANCE UNLESS OTHERWISE SPECIFIED		FLW 深圳市华联威电子科技有限公司				
.XXX ±0.10 .XX ±0.20 .X ±0.30		.X' ±3' .XX' ±2'		HUA LIAN WEI TECHNOLOGY ELECTRONICS CO;LTD.		
APPROVED		PART NAME:	RJ45 沉板4.2 DIP 直脚带屏蔽带灯			
CHECKED		PART No:	2RJ-0055-DX8		C	
DRAWN	weihong	PROJECTION:	UNIT:	SCALE	SHEET	REV.
DATE	2021.7.23		mm	1:1	10F1	A