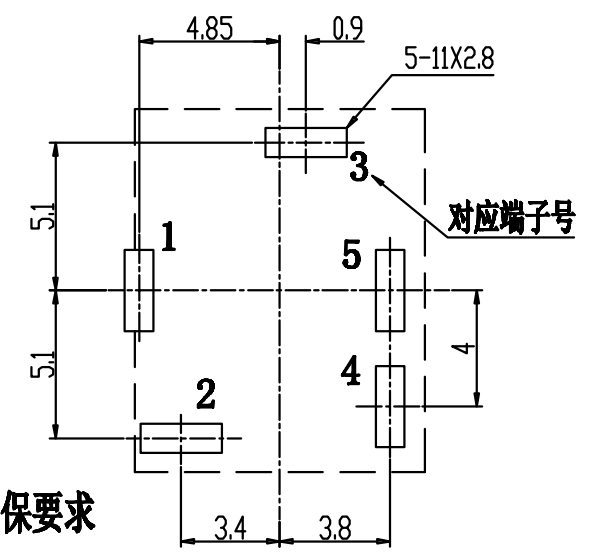


REV.	ECN.NO.	APPD.
A	/	/

**印制板开孔尺寸(±0.1)**  
显示为底面

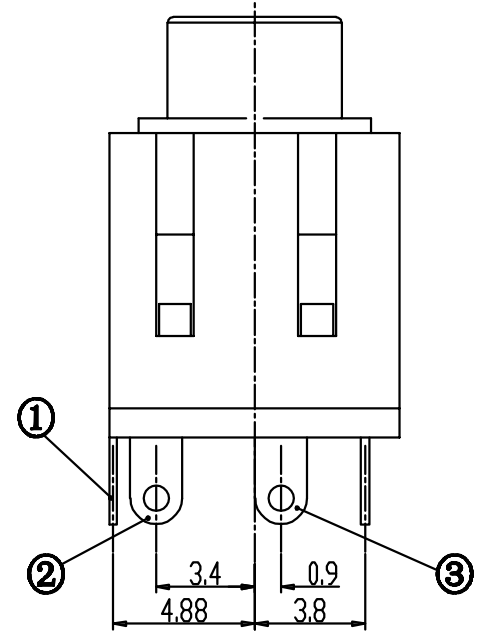
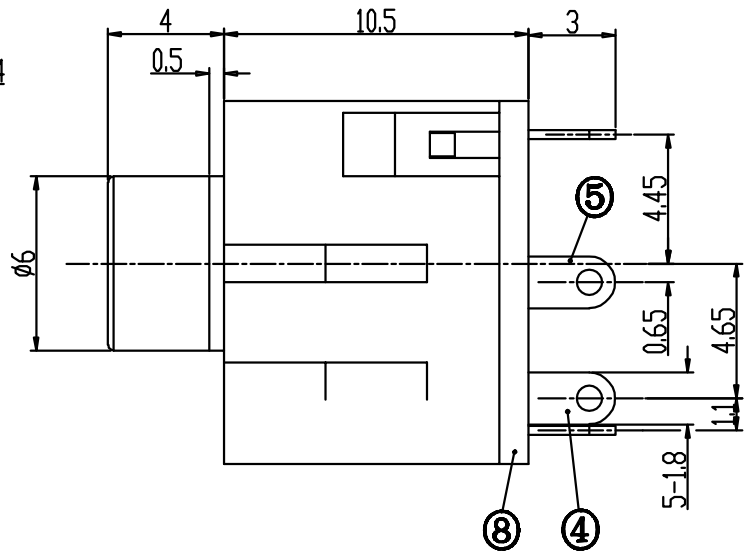
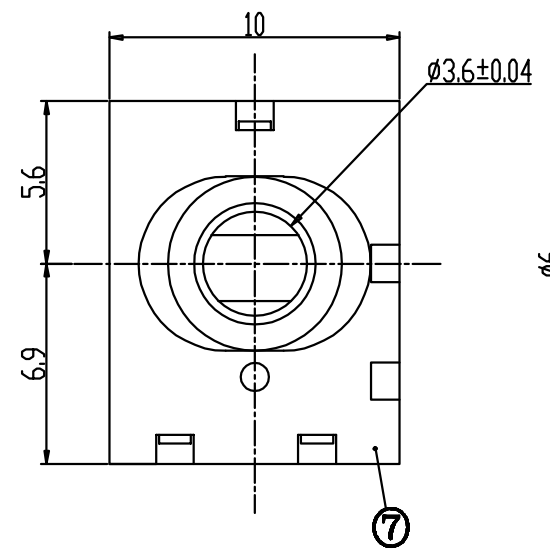
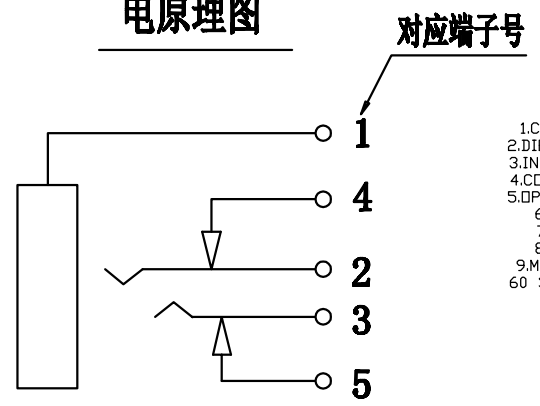


所有物质均符合环保要求

JK1-172-G217  
G: 镀半金G/Fu  
1: 黑色  
2: PBT

- 1.CURRENT RATING : 1.0 AMP. MAX.
- 2.DIELECTRIC WITHSTANDING : AC 500V/min R.M.S.
- 3.INSULATION RESISTANCE : 100MΩ min. AT 100V DC.
- 4.CONTACT RESISTANCE : 50mΩ MAX.
- 5.OPERATING TEMPERATURE : -25°C TO +85°C.
- 6.DURABILITY : 1500 CYCLES.
- 7.MATING FORCE : 3kgs MAX
- 8.UNMATING FORCE : 0.3~3.0kgs
- 9.MAX PROCESSING TEMPERATURE : 60 SECONDS IN 230°C AND 10 SECONDS IN 260°C

**电原理图**



TOLERANCE UNLESS OTHERWISE SPECIFIED		FLW 深圳市华联威电子科技有限公司 HUA LIAN WEI TECHNOLOGY ELECTRONICS CO.;LTD.			
.XXX ±0.10	.X' ±3'	PART NAME:		JACK-3.5立式有头DIP	
.XX ±0.20	.XX' ±2'	PART No:		JK1-172-G217	C
.X ±0.30		DRAWN	weihong	PROJECTION:	UNIT: SCALE SHEET REV.
DATE	2021.9.23	mm		1:1	10F1 A