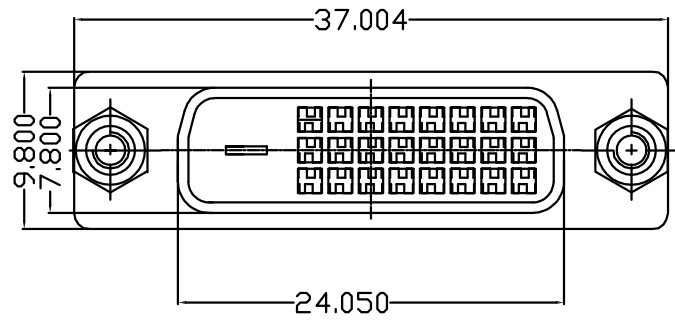
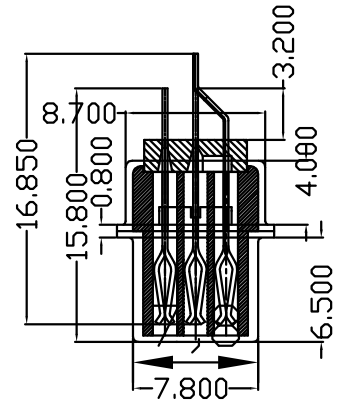
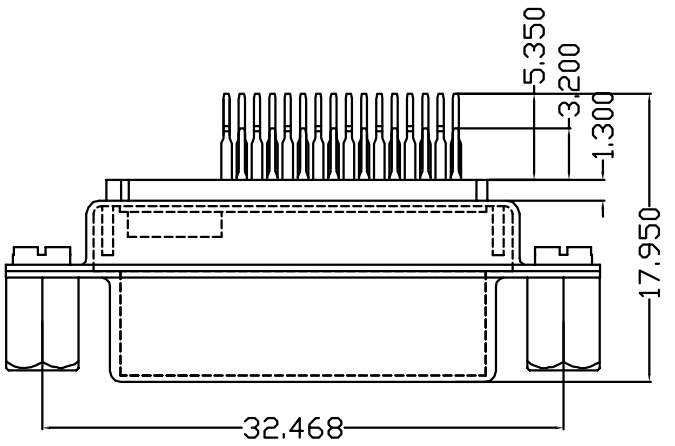


REV.	ECN.NO.	APPD.
A	XXXXXXXXXX	yangguifeng

NOTE:

- 1:CONTACT HEIGHT FOR PIN#14 IS TO BE (4.70).  
OTHER CONTACT HEIGHT (5.46).
- 2:ELECTRICAL  
RATED:1.5A 40V (AC)  
CONTACT RESISTANCE:20mΩ MAXIMUM.  
INSULATION RESISTANCE:1000MΩ MINIMUM.  
DIELECTRIC WITHSTANDING VOLTAGE:500V
- 3:MECHANICAL  
MATING FORCE:4.5KG MAX.  
UNMATING FORCE:4KG MAX.  
UNMATING FORCE:1KG MIN.
- 4: MATERIAL:  
MAIN BODY:PBT  
THE BACK COVER:PA66  
SHELL: SPCC T=0.4  
CONTAT:C2680-H T=0.4  
NUI:C3604-H/2



DS434-010X-XXX7

4: 铁壳镀金

G: 半金G/Fu

2: PBT

1: 黑色

TOLERANCE UNLESS OTHERWISE SPECIFIED	
.XXX ±0.10	.X' ±3'
.XX ±0.20	.XX' ±2'
.X ±0.30	

**FLW** 深圳市华联威电子科技有限公司  
HUA LIAN WEI TECHNOLOGY ELECTRONICS CO;LTD.

APPROVED		PART NAME:	DVI24+1母座5.8螺母夹板式			
CHECKED		PART No:	DS434-0104-G217		C	
DRAWED	yangguifeng	PROJECTION:	UNIT:	SCALE	SHEET	REV.
DATE	2021.12.01		mm	1:1	1 OF 1	A