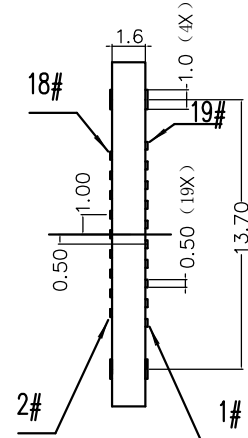
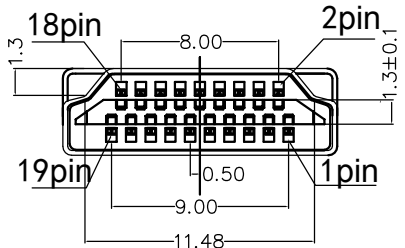
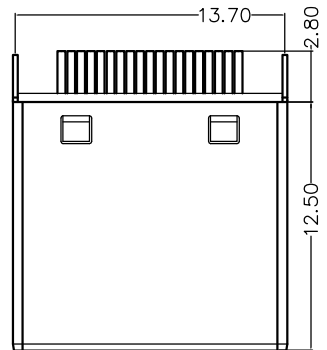
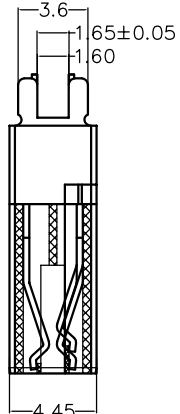
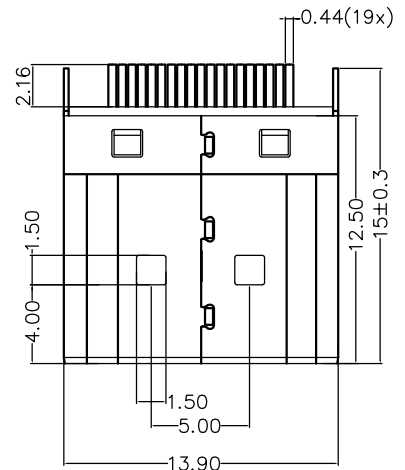


REV.	ECN.NO.	APPD.
AO	/	/



P.C.B LAYOUT

NOTES:

- 1.MATERIAL:
 - 1.1 Housing: thermoplastic plastics
 - 1.2 terminals: Copper Alloy
Gold plated in contact area:
Tin plated in termination
Nickel Plated overall
 - 1.3 Shell: Steel&Copper Alloy
Nickel/Au Plated overall
- 2.ELECTRICAL CHARACTERISTICS:
 - 2.1 Rating Current :0.5 Ampere
 - 2.2 Rating Voltage :40 V Max
 - 2.3 Contact Resistance:30 Milli ohms
 - 2.4 Insulation Resistance:100 Mega ohms Min.
- 3.MECHANICAL CHARACTERISTICS:
 - 3.1 Connector Mating force: 4.5kg MAX
 - 3.2 Connector Unmating force:1.0Kg min
 - 3.3 Durability:10000Cycles.
- 4.ENVIRONMENT CHARACTERISTICS:
 - 4.1 Operating temperature:-20℃ to +85℃
 - 4.2 Storage temperature:-20℃ to +65℃

HD22-3215-161018

- 5:铜壳镀镍
- 1:吸塑盒
- 1:半金1u"
- 1:黑色
- 6:LCP

TOLERANCE UNLESS OTHERWISE SPECIFIED		FLW 深圳市华联威电子科技有限公司					
.XXX ±0.10 .XX ±0.20 .X ±0.30		.X* ±3" .XX* ±2"		HUA LIAN WEI TECHNOLOGY ELECTRONICS CO;LTD.			
APPROVED		PART NAME:	HDMI 19P/M 插板1.6H款				
CHECKED		PART No:	HD22-3215-161018			C	
DRAWN	weihong	PROJECTION:	UNIT:	SCALE	SHEET	REV.	
DATE	2021.07.29		mm	1:1	10F1	AO	