

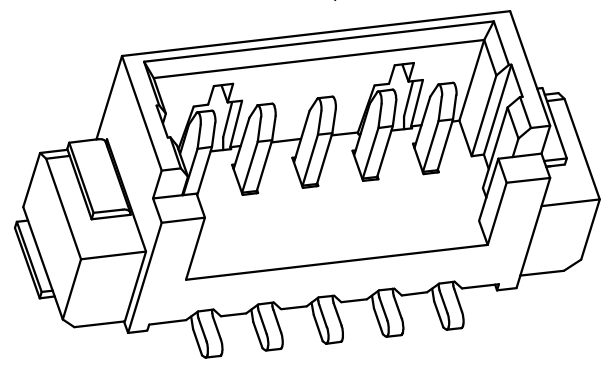
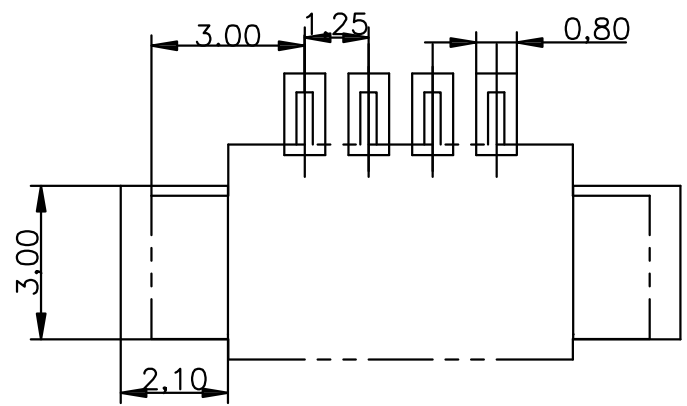
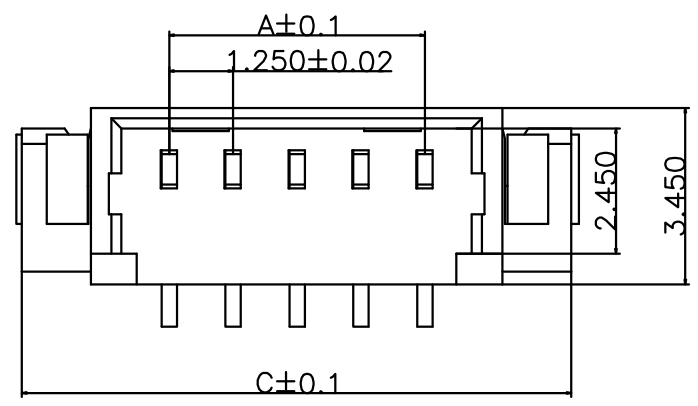
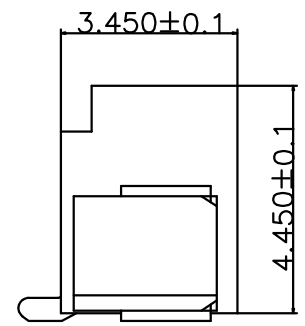
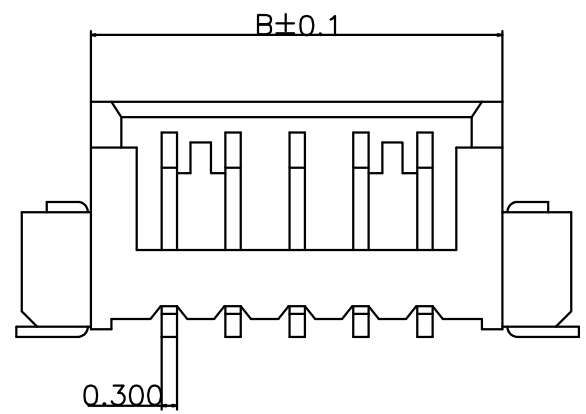
|      |         |       |
|------|---------|-------|
| REV. | ECN.NO. | APPD. |
| A    | /       | /     |

技术指标 (Technical Index) :

1. 工作温度 (Temperature range) : -25° C-85° C.
2. 额定电压 (Rated voltage) : 250V DC/AC (rms)
3. 额定电流 (Rated current) : 5A AC, DC
4. 接触阻抗 (CONTACT Resistance) :  $\leq 25M\Omega$
5. 耐压值 (Withstanding voltage) : 1500V AC/minute
6. 绝缘阻抗 (Insulation resistance)  $\geq 1000M\Omega$

216104-1107-G63038

G: 镀锡 — 3: 米黄色  
— 6: LCP



| Poles | Dimensions (mm) |       |       | Poles | Dimensions (mm) |       |       | Poles | Dimensions (mm) |       |       |
|-------|-----------------|-------|-------|-------|-----------------|-------|-------|-------|-----------------|-------|-------|
|       | A               | B     | C     |       | A               | B     | C     |       | A               | B     | C     |
| 2*02  | 2.00            | 8.00  | 4.70  | 2*09  | 16.00           | 20.00 | 16.70 | 2*16  | 30.00           | 34.00 | 32.70 |
| 2*03  | 4.50            | 8.00  | 6.70  | 2*10  | 18.00           | 22.00 | 20.70 | 2*17  | 32.00           | 36.00 | 34.70 |
| 2*04  | 6.00            | 10.00 | 8.70  | 2*11  | 20.00           | 24.00 | 22.70 | 2*18  | 34.00           | 38.00 | 36.70 |
| 2*05  | 8.00            | 12.00 | 10.70 | 2*12  | 22.00           | 26.00 | 24.70 | 2*19  | 36.00           | 40.00 | 38.70 |
| 2*06  | 10.00           | 14.00 | 12.70 | 2*13  | 24.00           | 28.00 | 26.70 | 2*20  | 38.00           | 42.00 | 40.70 |
| 2*07  | 12.00           | 16.00 | 14.70 | 2*14  | 26.00           | 30.00 | 28.70 | 2*30  | 58.00           | 62.00 | 60.70 |
| 2*08  | 14.00           | 18.00 | 16.70 | 2*15  | 28.00           | 32.00 | 30.70 |       |                 |       |       |

|                                      |          |
|--------------------------------------|----------|
| TOLERANCE UNLESS OTHERWISE SPECIFIED |          |
| .XXX ±0.10                           | .X' ±3'  |
| .XX ±0.20                            | .XX' ±2' |
| .X ±0.30                             |          |

**FLW** 深圳市华联威电子科技有限公司  
HUA LIAN WEI TECHNOLOGY ELECTRONICS CO.;LTD.

|          |           |             |                    |        |        |      |
|----------|-----------|-------------|--------------------|--------|--------|------|
| APPROVED |           | PART NAME:  | 针座1.25立贴SMT4P载带    |        |        |      |
| CHECKED  |           | PART No:    | 216104-1107-G63038 | C      |        |      |
| DRAWN    | weihong   | PROJECTION: | UNIT:              | SCALE: | SHEET: | REV. |
| DATE     | 2021.9.23 |             | mm                 | 1:1    | 10F1   | A    |