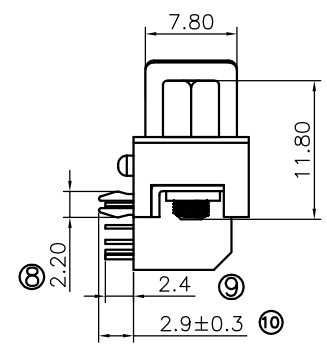
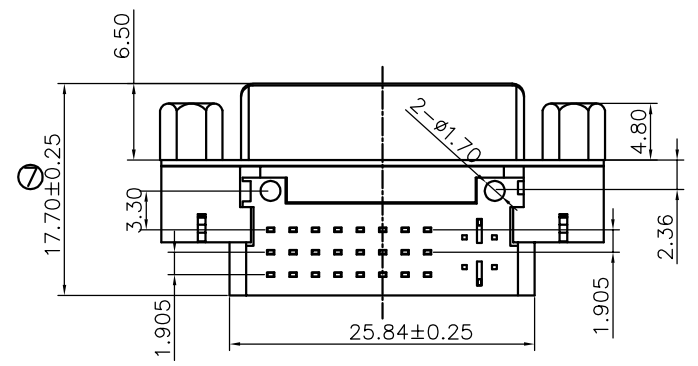
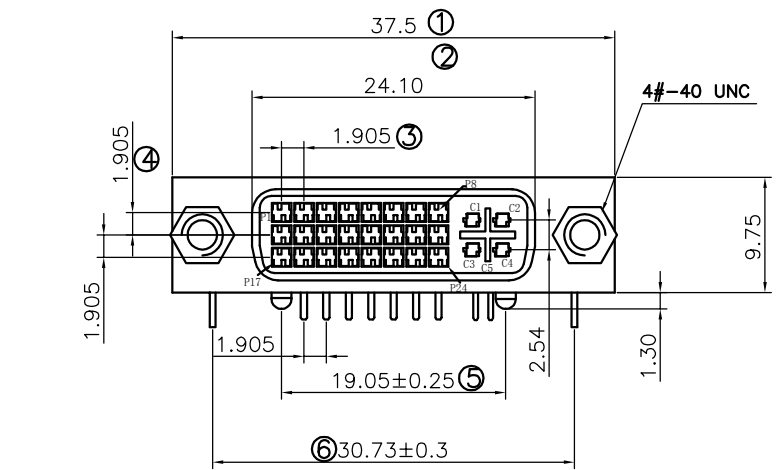


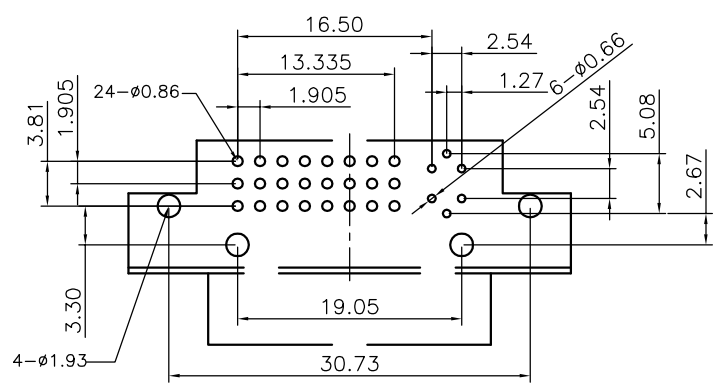
REV.	ECN.NO.	APPD.
A	XXXXXXXXXX	chenyiting



1.SPECIFICATION

- 2.1 Current Rate:5 Amps
- 2.2 Insulator Resistance:1000M Ω
- 2.3 Dielectric Strength:500V AC PER MIN.
- 2.4 Operation Temperature: -55C~+105C °
- 2.5 Contact Resistance:30m Ω max

DS412-1811-G2B7
 G:半金G/Fu
 B:灰色
 2:PBT



P.C.B LAYOUT

TOLERANCE UNLESS OTHERWISE SPECIFIED		FLW 深圳市华联威电子科技有限公司				
.XXX ±0.10 .XX ±0.20 .X ±0.30		.X' ±3' .XX' ±2'		HUA LIAN WEI TECHNOLOGY ELECTRONICS CO;LTD.		
APPROVED		PART NAME:	DVI24+5母座卧式铆锁			
CHECKED		PART No:	DS412-1811-G2B7	C		
DRAWN	chenyiting	PROJECTION:	UNIT:	SCALE	SHEET	REV.
DATE	2023.04.20		mm	1:1	10F1	A