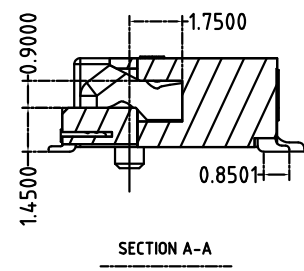
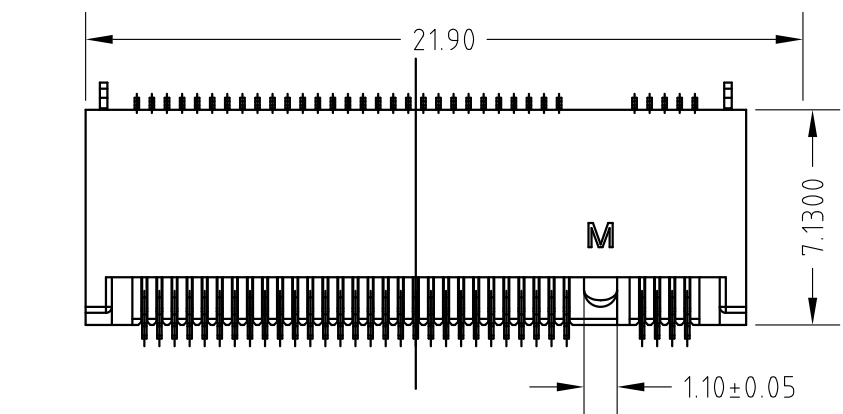
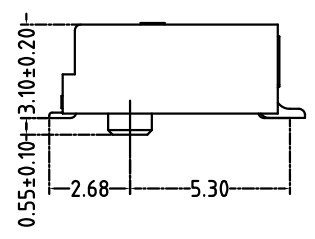
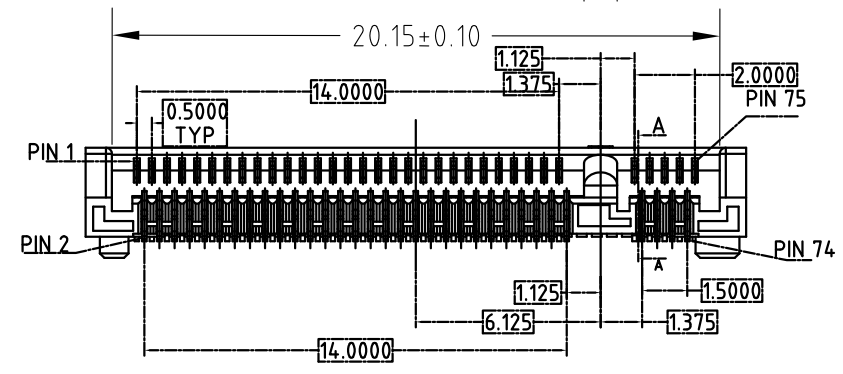


REV.	ECN.NO.	APPD.
A	/	/



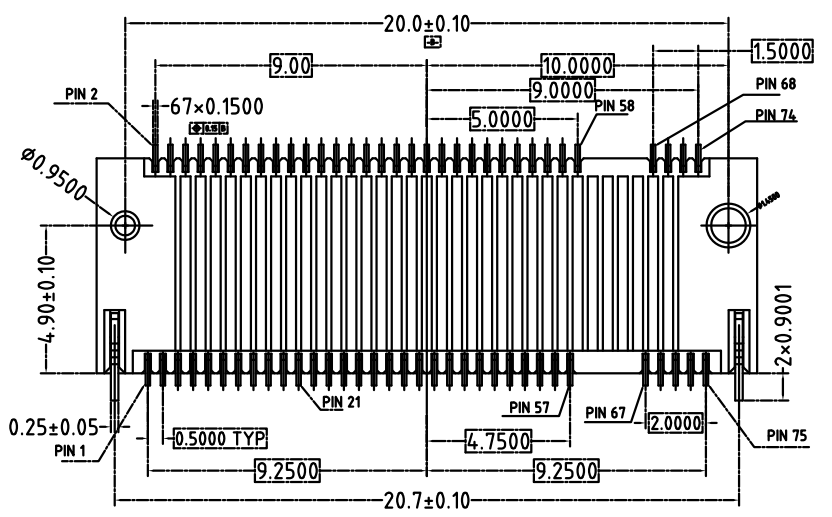
NOTE:

- MATERIAL:
HOUSING: LCP WITH 30% GF, UL 94V-0, BLACK COLOR.
CONTACTS: PHOSPHOR BRONZE.
BOARDLOCKS: BRASS.
- FINISH:
CONTACTS: GOLD FALSH PLATED ON CONTACT AREA, [100μ"] MIN., BRIGHT-TIN ON SOLDER TAIL, WITH ENTIRE CONTACT UNDERPLATED [50μ"] MIN., NICKEL.
BOARDLOCKS: [100μ"] MIN. BRIGHT-TIN OVER[50μ"] MIN. NICKEL ON ENTIRE BOARDLOCK.
- PART NUMBER DESCRIPTION :



ST24-0200-G618

G: 镀半金G/Fu" 1: 黑色 6: LCP



TOLERANCE UNLESS OTHERWISE SPECIFIED		FLW 深圳市华联威电子科技有限公司					
.XXX ±0.10	.X* ±3°	HUA LIAN WEI TECHNOLOGY ELECTRONICS CO;LTD.					
.XX ±0.20	.XX* ±2°						
.X ±0.30							
APPROVED		PART NAME:	SATA 0.5Pitch 67Pin M.2 H=3.2				
CHECKED		PART No:	ST24-0200-G618		C		
DRAWN	weihong	PROJECTION:	UNIT:	SCALE	SHEET	REV.	
DATE	2021.9.23		mm	1:1	10F1	A	