

9

8

7

6

5

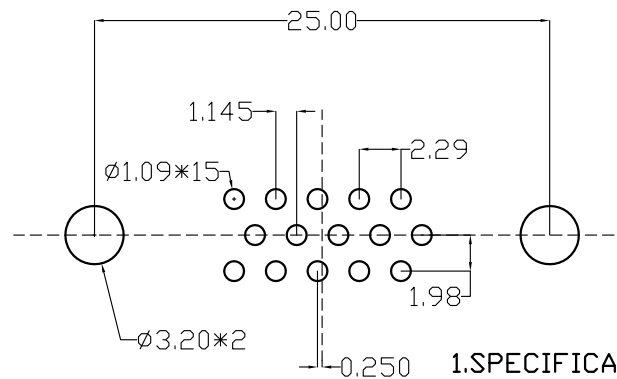
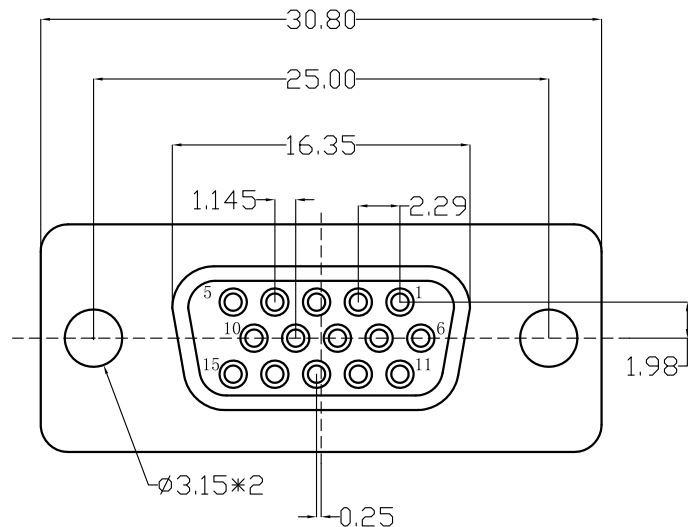
4

3

2

1

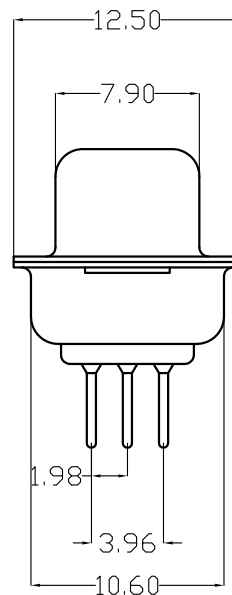
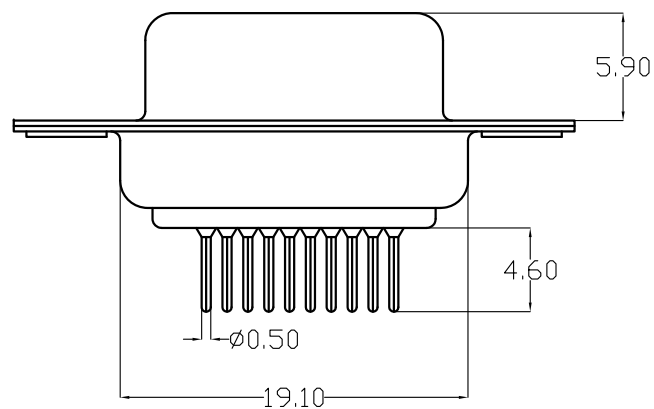
REV.	ECN.NO.	APPD.
A	/	/



P.C.B LAYOUT

1. SPECIFICATION

- 2.1 Current Rate: 5 Amps
- 2.2 Insulator Resistance: 1000M Min.
- 2.3 Dielectric Strength: 500V AC PER MIN
- 2.4 Operation Temperature: $-55^{\circ}\text{C} \sim +105^{\circ}\text{C}$
- 2.5 Contact Resistance: 30m Max



DS412-1310-G2H7

G. 半金G/FU"

H. 白色

2. PBT

TOLERANCE UNLESS OTHERWISE SPECIFIED		FLW 深圳市华联威电子科技有限公司			
.XXX ± 0.10	.XX ± 0.20	.X ± 0.30	HUA LIAN WEI TECHNOLOGY ELECTRONICS CO.;LTD.		
.X' $\pm 3'$.XX' $\pm 2'$				
APPROVED		PART NAME:	D-SUB 15/F 3.08		
CHECKED		PART No:	DS412-1310-G2H7	C	
DRAWN		PROJECTION:	UNIT:	SCALE:	SHEET:
DATE			mm	1:1	10F1
					REV. A

9

8

7

6

5

4

3

2

1