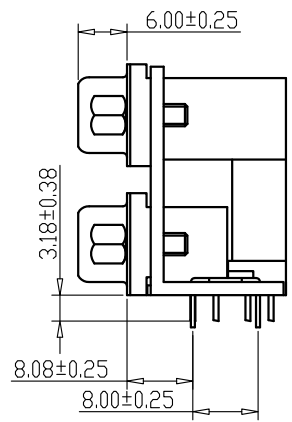
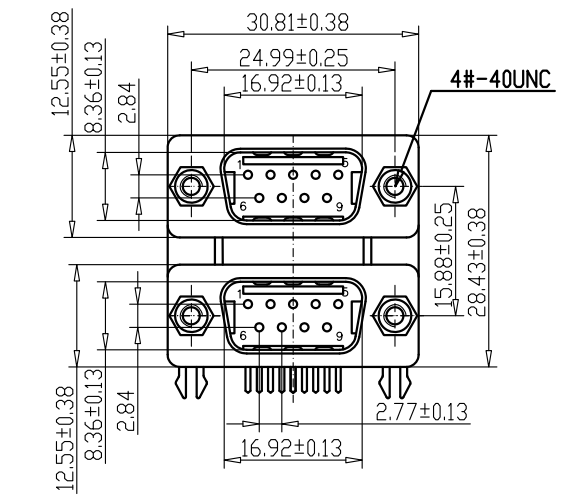


RoHS

REV.	ECN.NO.	APPD.
A	NEW	WZHI

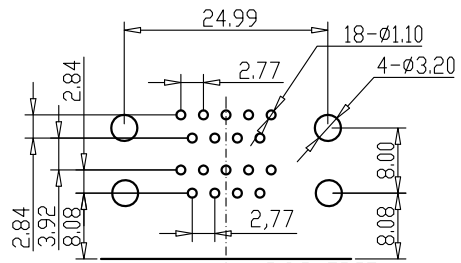
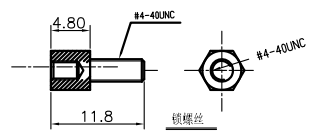
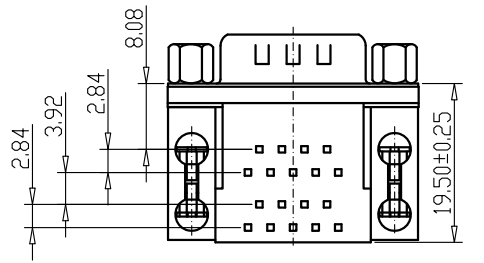


1.SPECIFICATION

- 2.1 Current Rate:5 Amps
- 2.2 Insulator Resistance:1000MΩ Min.
- 2.3 Dielectric Strength:500V AC PER MIN
- 2.4 Operation Temperature:-55℃~+105℃
- 2.5 Contact Resistance:30mΩ Max

DS811-0200-G2101

- G:半金G/F
- 1:RoHS UL94V-0
- 2:PBT黑色
- 1:吸塑盒



RECOMMENDED P.C.B LAYOUT

TOLERANCE UNLESS OTHERWISE SPECIFIED		FLW 深圳市华联威电子科技有限公司 HUA LIAN WEI TECHNOLOGY ELECTRONICS CO;LTD.				
.XXX ±0.10	.XX ±0.20	.X ±0.30	.X' ±3'	.XX' ±2'		
APPROVED		PART NAME:	D-SUB 双层9M H=15.88			
CHECKED		PART No:	DS811-0200-G2101	C		
DRAWN	WANGHZI	PROJECTION:	UNIT:	SCALE	SHEET	REV.
DATE	2020.07.07		mm	1:1	10F1	A