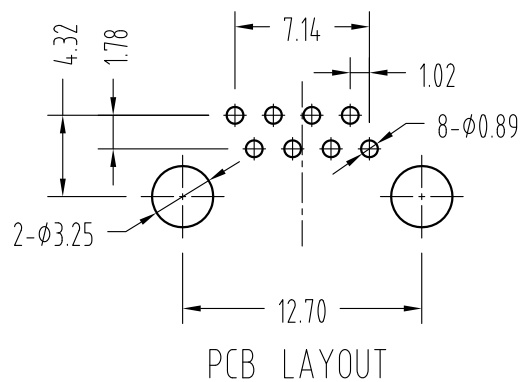
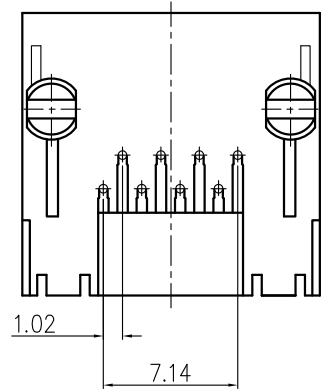
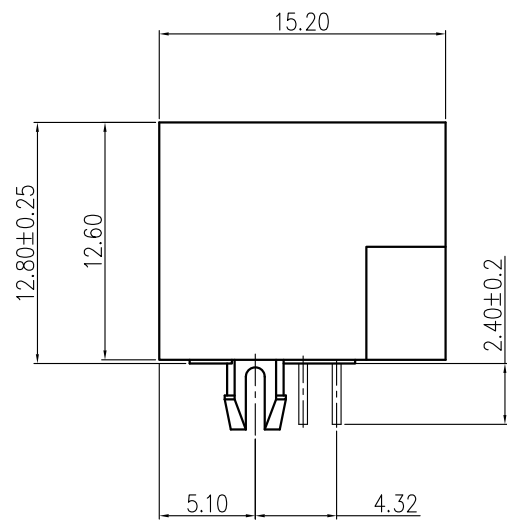
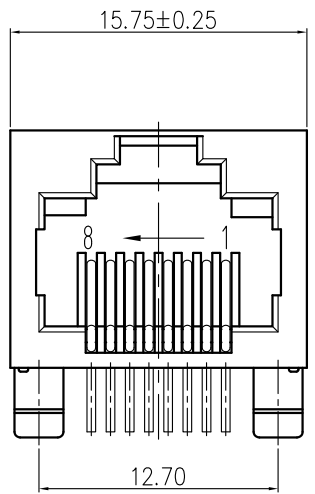


RoHS

REV.	ECN.NO.	APPD.
A	新版发行	WANGZHI
B	尺寸变更	dengshan

NOTES:

- 1.MATERIAL:
 - 1.1 Housing:thermoplastic plastics
 - 1.2 terminals:Copper Alloy
Gold plated in contact area:
OR Gold Plated overall
 - 1.3 Shell:Steel&Copper Alloy
Nickel/Tin Plated overall
- 2.ELECTRICAL CHARACTERISTICS:
 - 2.1 Rating Current :1.5 Ampere
 - 2.2 Rating Voltage :125 V Max
 - 2.3 Contact Resistance:50 Milli ohms
 - 2.4 Insulation Resistance:500 Mega ohms Min.
- 3.MECHANICAL CHARACTERISTICS:
 - 3.1 Connector Mating force: 2.27kgf MAX
 - 3.2 Durability:750Cycles.
- 4.ENVIRONMENT CHARACTERISTICS:
 - 4.1 Operating temperature:-40°C to +85°C
 - 4.2 Storage temperature:-10°C to +40°C



R51110-003S08

3:PBT S:黑色

TOLERANCE UNLESS OTHERWISE SPECIFIED		FLW 深圳市华联威电子科技有限公司 HUA LIAN WEI TECHNOLOGY ELECTRONICS CO;LTD.				
.XXX ±0.10	.XX ±0.15	.X ±0.20	.X ±3'	.XX ±2'		
APPROVED		PART NAME:	RJ45 tab up全塑无灯 (15.75*15.20*12.8) PBT黑色, G/F			
CHECKED		PART No:	R51110-003S08	C		
DRAWN	DENGSHAN	PROJECTION:	UNIT:	SCALE	SHEET	REV.
DATE	2020.11.27		mm	1:1	10F1	B