

REV	ECN.NO	APPD
AO	/	/

NOTES:

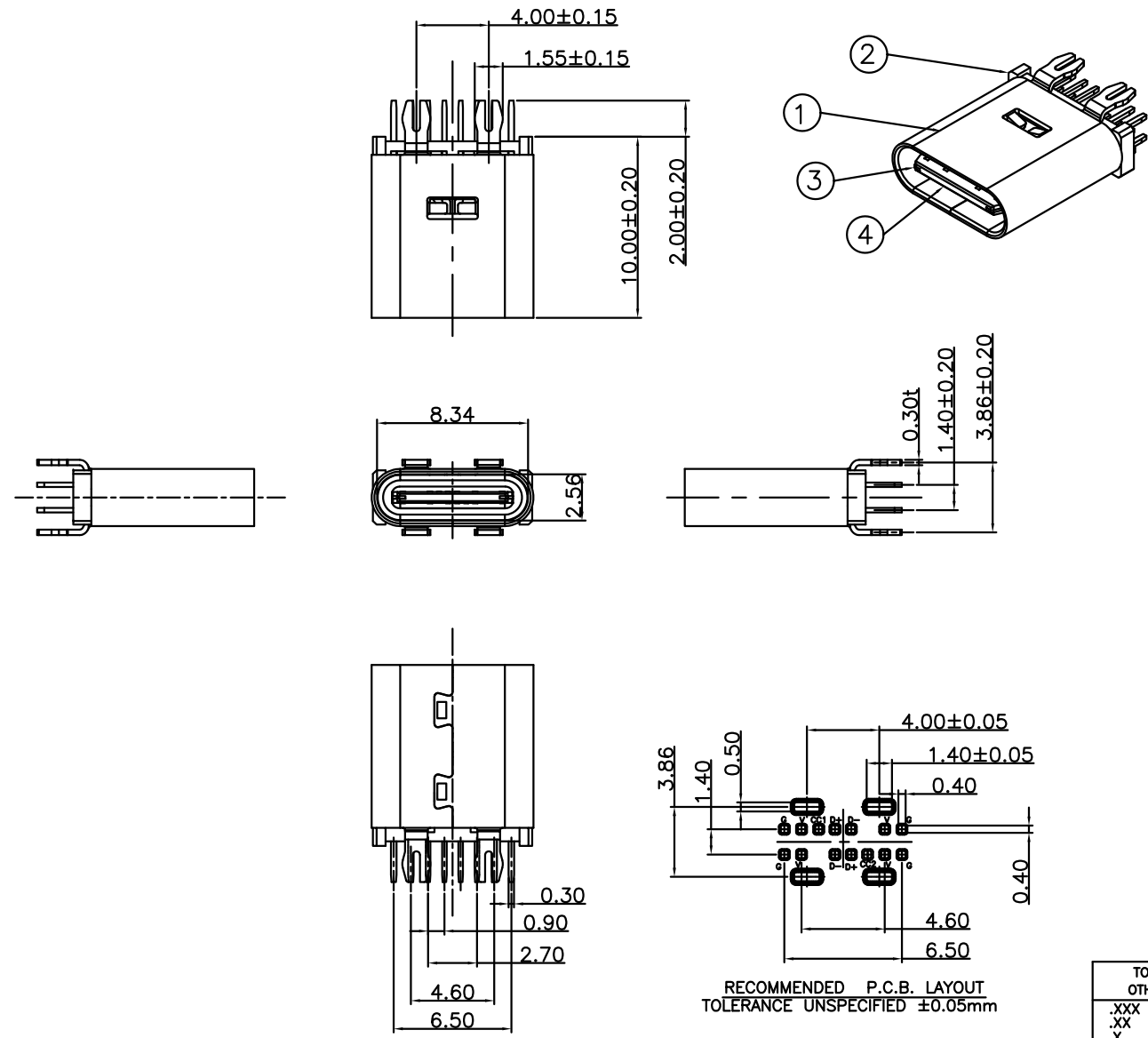
1.MATERIAL:

- 1.1 Housing:thermoplastic plastics
- 1.2 terminals:Copper Alloy
Gold plated in contact area:
Tin plated in termination
Nickel Plated overall
- 1.3 Shell:Steel&Copper Alloy
Nickel/Au Plated overall

2.characteristics:

- 2.1 Rating Voltage : 30V AC.
 - 2.2 Rating Current:
5A for Vbus PIN;1.25A for Vconn PIN
 - 2.3 Contact Resistance:40 mΩ MAX.
 - 2.4 Insulation Resistance:100 MΩ MIN.
 - 2.5 Withstanding Voltage:AC 100V
 - 2.6 Mating force: 5~20N MAX
 - 2.7 Extraction force:8~20N Min
 - 2.8 Life test:10000Cycles MIN.
 - 2.9 Temperature Range: -30℃~+80℃.
- The product must be compliance ROHS

U573-043B-G61078
 7:PE袋
 1:黑色
 B:不锈钢镀镍
 G:半金G/Fu”
 6:LCP



RECOMMENDED P.C.B. LAYOUT
 TOLERANCE UNSPECIFIED ±0.05mm

TOLERANCE UNLESS OTHERWISE SPECIFIED		FLW 深圳市华联威电子科技有限公司				
.XXX ±0.10 .XX ±0.20 .X ±0.30		HUA LIAN WEI TECHNOLOGY ELECTRONICS CO;LTD.				
.X* ±3* .XX* ±2*		PART NAME:		TYPE C 180度 14P 立插式H=10.0		
APPROVED		PART No:		U573-043B-G61078		C
CHECKED		PROJECTION:		UNIT:	SCALE	SHEET
DRAWN	weihong	DATE		mm	1:1	10F1
DATE	2021.6.19	mm		1:1	10F1	AO