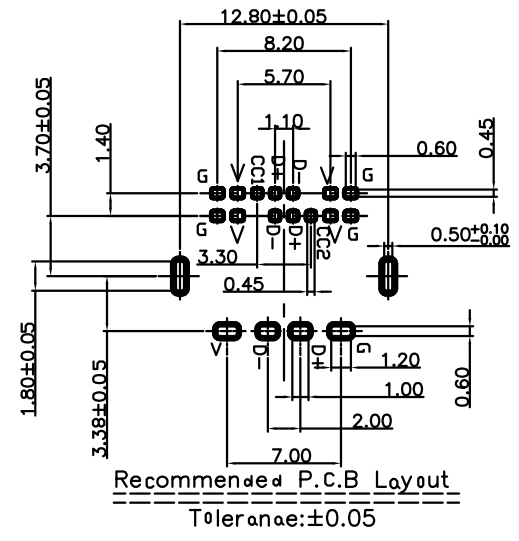
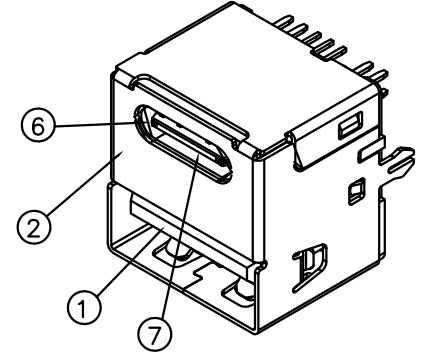
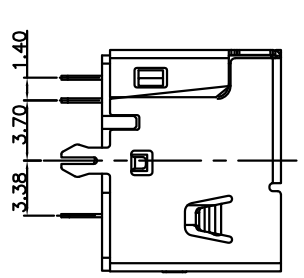
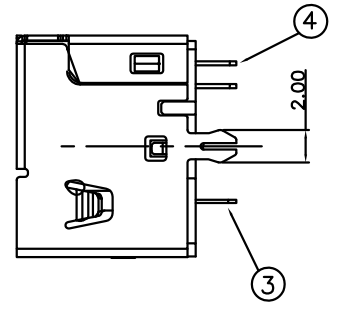
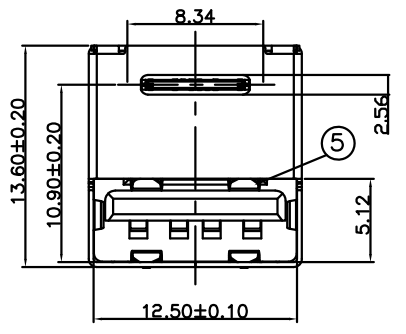
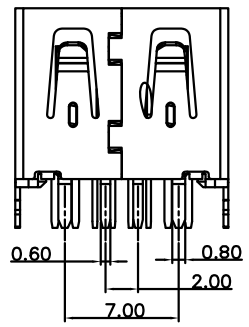


REV.	ECN.NO.	APPD.
A	/	/

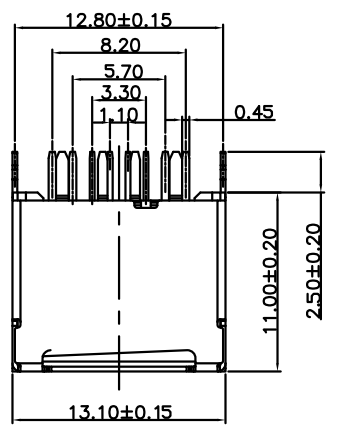


NOTES:  
 1.MATERIAL:  
 1.1 Housing:thermoplastic plastics  
 1.2 terminals:Copper Alloy  
 Gold plated in contact area:  
 Tin plated in termination  
 Nickel Plated overall  
 1.3 Shell:Steel&Copper Alloy  
 Nickel/Au Plated overall  
 2.characteristics:  
 2.1 Rating Voltage : 30V AC.  
 2.2 Rating Current:  
 5A for Vbus PIN;1.25A for Vconn PIN  
 2.3 Contact Resistance:40 mΩ MAX.  
 2.4 Insulation Resistance:100 MΩ MIN.  
 2.5 Withstanding Voltage:AC 100V  
 2.6 Mating force: 5~20N MAX  
 2.7 Extraction force:8~20N Min  
 2.8 Life test:10000Cycles MIN.  
 2.9 Temperature Range: -30℃~+80℃.  
 The product must be compliance ROHS



U573-081B-XXX0X8

G:半金G/Fu”  
 1:吸塑盒  
 1:黑色  
 6:LCP



7	TYPE C MD	HIGH TEMP	BLACK	UL 94V-0
6	CENTER PIECE	STAINLESS STEEL	—	NO Plated
5	TYPE C TERMINAL	COPPER ALLOY	—	Gold Plated
4	CLIP	SEE NOTE	—	Ni Plated
3	USB TERMINAL	COPPER ALLOY	—	Gold Plated
2	SHELL	SEE NOTE	—	Ni Plated
1	HOUSING	HIGH TEMP	BLACK	UL 94V-0
NO.	DESCRIPTION	MATERIAL	COLOR	REMARK

TOLERANCE UNLESS OTHERWISE SPECIFIED	
.XXX ±0.10	.X' ±3'
.XX ±0.20	.XX' ±2'
.X ±0.30	
APPROVED	
CHECKED	
DRAWN	weihong
DATE	2021.7.23

<b>FLW</b> 深圳市华联威电子科技有限公司 HUA LIAN WEI TECHNOLOGY ELECTRONICS CO;LTD.						
PART NAME:		TYPE C 母座 14PIN+USB 2.0				
PART No:		U573-081B-G61018			C	
DRAWN	weihong	PROJECTION:	UNIT:	SCALE	SHEET	REV.
DATE	2021.7.23		mm	1:1	10F1	A