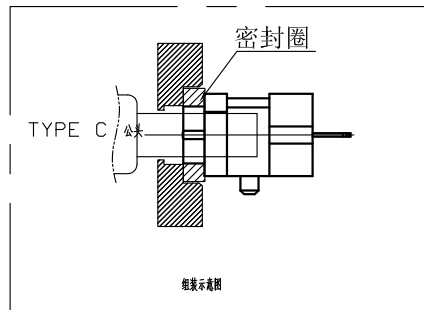
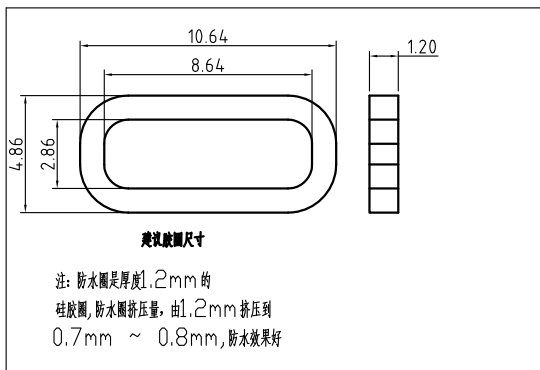
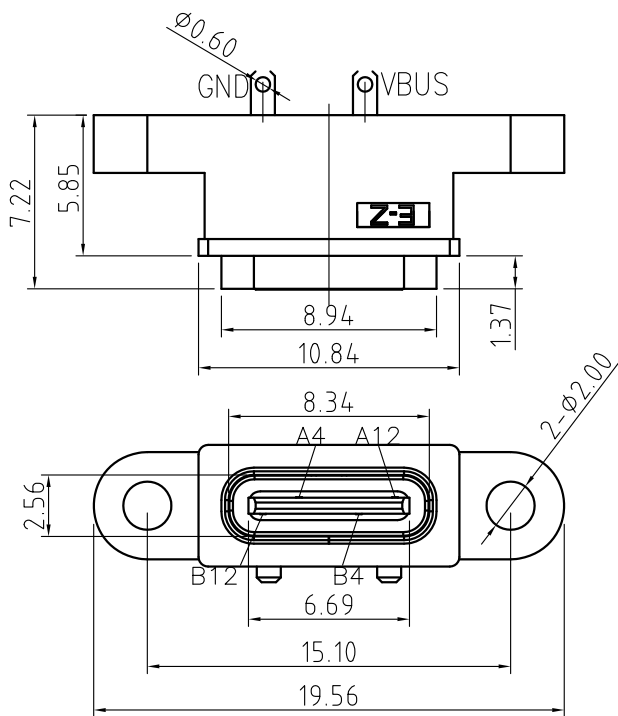


REV.	ECN.NO.	APPD.
A	EXXXXXXXXXX	yangguifeng



- NOTES:
- MATERIAL:
 - Housing: thermoplastic plastics
 - terminals: Copper Alloy
Gold plated in contact area:
Tin plated in termination
Nickel Plated overall
 - Shell: Steel & Copper Alloy
Nickel/Au Plated overall
 - characteristics:
 - Rating Voltage : 30V AC.
 - Rating Current:
5A for Vbus PIN; 1.25A for Vconn PIN
 - Contact Resistance: 40 mΩ MAX.
 - Insulation Resistance: 100 MΩ MIN.
 - Withstanding Voltage: AC 100V
 - Mating force: 5~20N MAX
 - Extraction force: 8~20N Min
 - Life test: 10000 Cycles MIN.
 - Temperature Range: -30°C ~ +80°C.
 - The product must be compliance ROHS

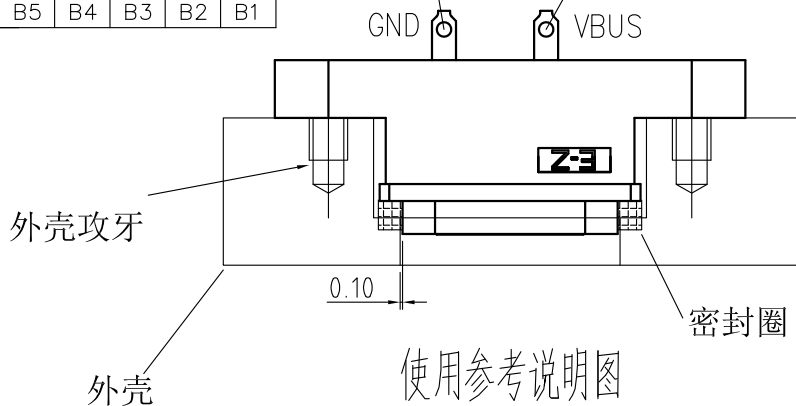
INTERFACE(FRONT VIEW)

A1	A2	A3	A4	A5	A6	A7	A8	A9	A10	A11	A12
			VBUS								GND
GND								VBUS			
B12	B11	B10	B9	B8	B7	B6	B5	B4	B3	B2	B1

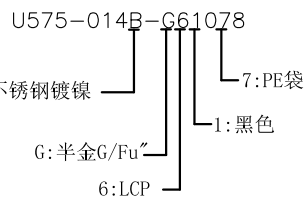
PIN ASSIGNMENT

PIN NO.	A12&B12	A4&B4
SIGNAL NAME	GND	VBUS
PCB PAD NO.	C1	C2

电子线焊接 电子线焊接



使用参考说明图
无需PCB板, 可直接焊线



TOLERANCE UNLESS OTHERWISE SPECIFIED		HLW 深圳市华联威电子科技有限公司			
.XXX ±0.10 .XX ±0.20 .X ±0.30		HUA LIAN WEI TECHNOLOGY ELECTRONICS CO;LTD.			
APPROVED		PART NAME:	TYPE C 2P 外接焊线有柱1.0		
CHECKED		PART No:	U575-014B-G61078	C	
DRAWN	yangguifeng	PROJECTION:	UNIT:	SCALE	SHEET
DATE	2021.12.01		mm	1:1	1 OF 1

由 Autodesk 教育版产品制作

由 Autodesk 教育版产品制作