

REV.	ECN.NO.	APPD.
A	/	/

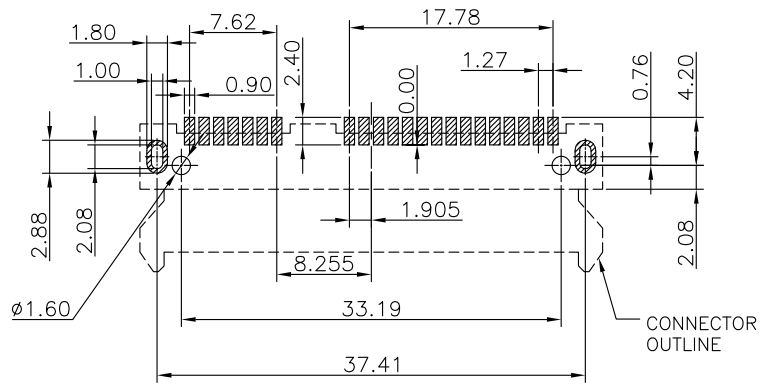
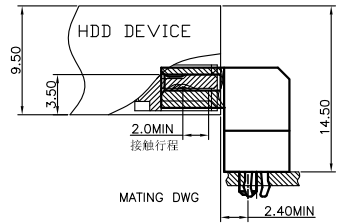
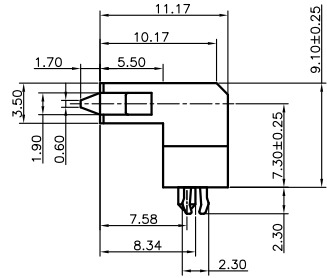
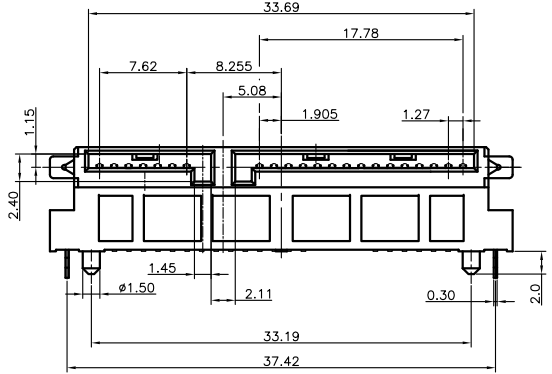
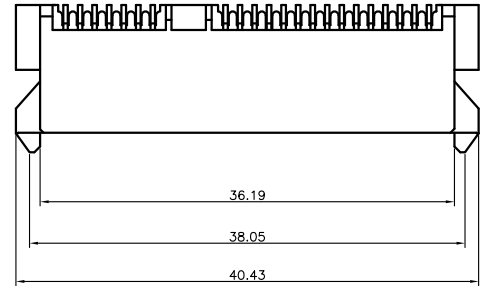
NOTE:

- MATERIAL:  
HOUSING: LCP WITH 30% GF, UL 94V-0, BLACK COLOR.  
CONTACTS: PHOSPHOR BRONZE.  
BOARDLOCKS: BRASS.
- FINISH:  
CONTACTS: GOLD FALSH PLATED ON CONTACT AREA, [100μ"] MIN..  
BRIGHT-TIN ON SOLDER TAIL, WITH ENTIRE CONTACT UNDERPLATED [50μ"] MIN.. NICKEL.  
BOARDLOCKS: [100μ"] MIN. BRIGHT-TIN OVER[50μ"] MIN. NICKEL ON ENTIRE BOARDLOCK.

3. PART NUMBER DESCRIPTION :

# ST22-1440-G618

G: 镀半金G/Fu"      1: 黑色  
6: LCP



TOLERANCE: ±0.05,  
RECOMMENDED PCB LAYOUT  
(TOP VIEW)

TOLERANCE UNLESS OTHERWISE SPECIFIED		<b>FLW</b> 深圳市华联威电子科技有限公司 HUA LIAN WEI TECHNOLOGY ELECTRONICS CO;LTD.			
.XXX ±0.10	.XX ±0.20	.X ±0.30	.X' ±3'	.XX' ±2'	
APPROVED		PART NAME:	SATA 7+15P SMT H=9.10mm 板下2.08孔鱼叉脚		
CHECKED		PART No:	ST22-1440-G618	C	
DRAWN	weihong	PROJECTION:	UNIT:	SCALE	SHEET
DATE	2021.9.23		mm	1:1	10F1
					REV. A