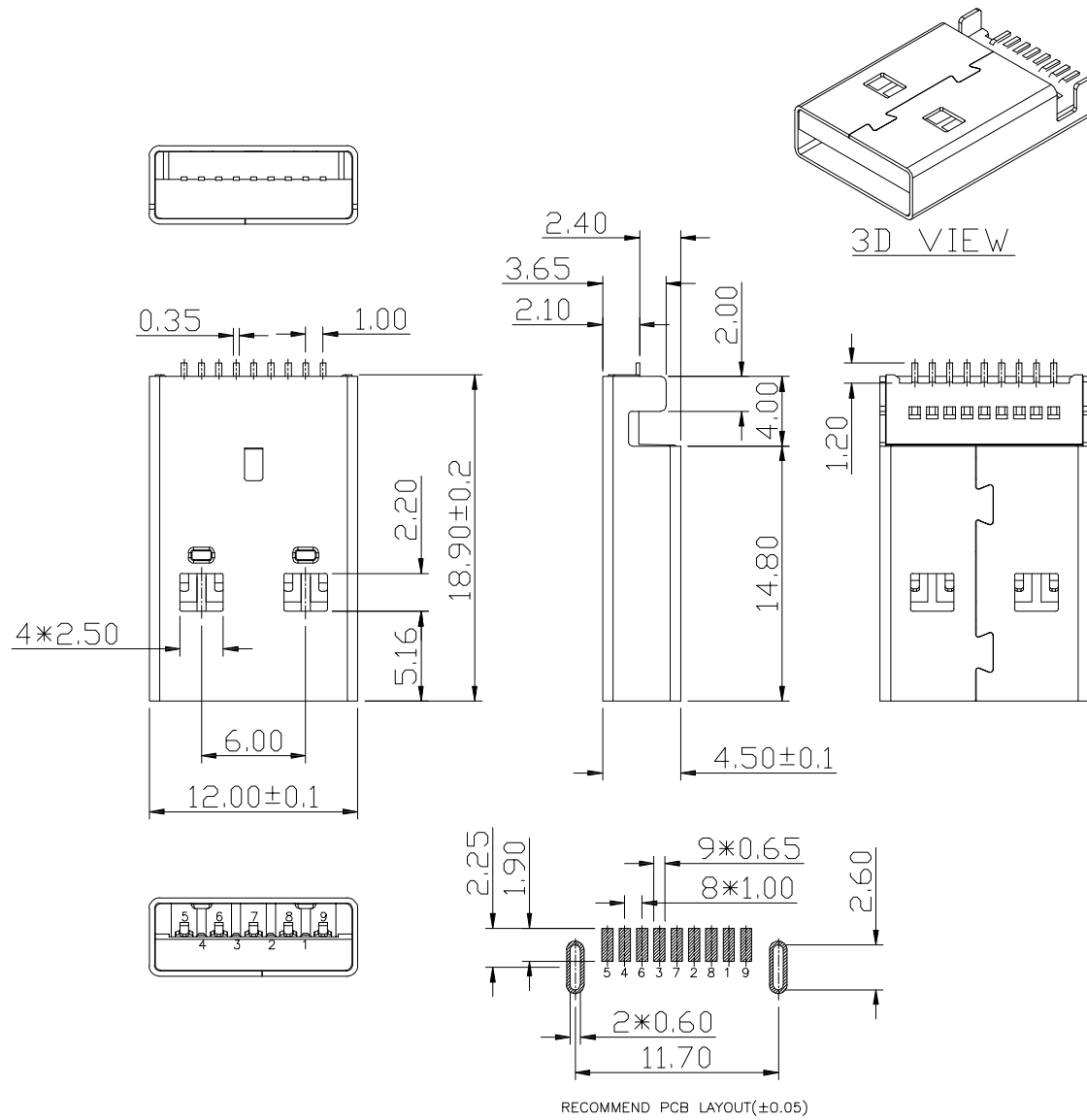
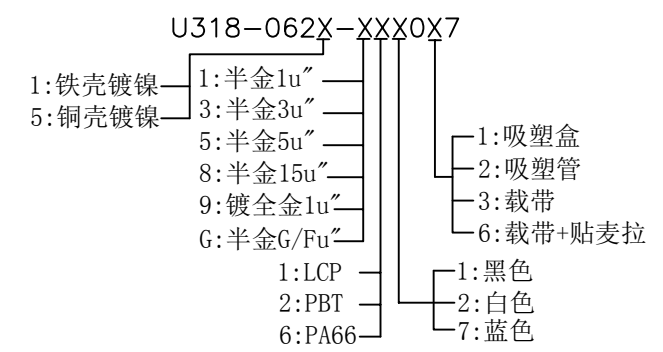


REV.	ECN.NO.	APPD.
A	/	/



- N TES:
- MATERIAL:
 - HOUSING: LCP ,COLOR IS BLUE;
 - CONTACT: BRASS,T=0.2mm;
 - SHELL: SPCC,T=0.30mm;
 - ELECTRICAL:
 - VOLTAGE RATING: 30 VAC RMS;
 - CURRENT RATING: 1.5 AMP;
 - C N TACT RESISTANCE: 30MILLI HMS MAX.;
 - WITHSTAND VOLTAGE: 500 VAC RMS
50(60)Hz,1MIN.;
 - INSULATION RESISTANCE: 100MEGOHMS MIN
@500V DC;
 - MECHANICAL:
 - MATING FORCE: 35N MAX.;
 - UNMATING FORCE: 5~35N;
 - PERATING LIFE: 1500 CYCLES MIN.;
 - FINISH:
 - TERMINAL:
 - CONTACT AREA: GOLD PLATED G/Fu";
 - S LDER AREA: PLATED VER TIN;
 - SHELL: NI PLATED OVER ALL ;
 - ENVIRONMENTAL:
 - STORAGE TEMPERATURE RANGE:-40°C~+85°C;
 - PERATI N TEMPERATURE RANGE:-25°C~+70°C;



TOLERANCE UNLESS OTHERWISE SPECIFIED		FLW 深圳市华联威电子科技有限公司				
		HUA LIAN WEI TECHNOLOGY ELECTRONICS CO;LTD.				
.XXX ±0.10	.XX ±0.20	.X ±0.30	.X' ±3'	.XX' ±2'	APPROVED	
			PART NAME:		USB 3.0AM 沉板直脚	
CHECKED			PART No:		U318-0621-X17017	C
DRAWED		Qinyuhua	PROJECTION:		UNIT:	SCALE
DATE		2021.10.20	mm		1:1	SHEET
		REV.		A		