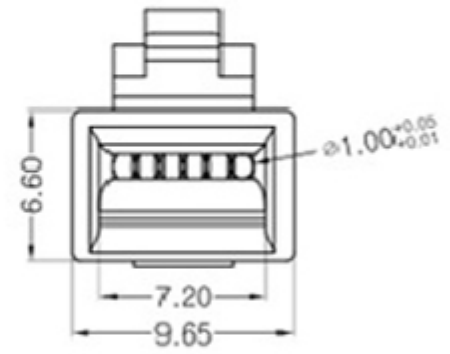
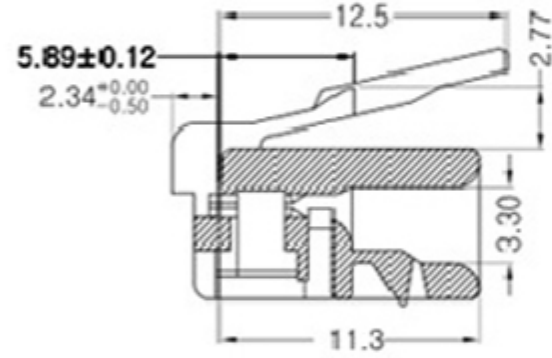
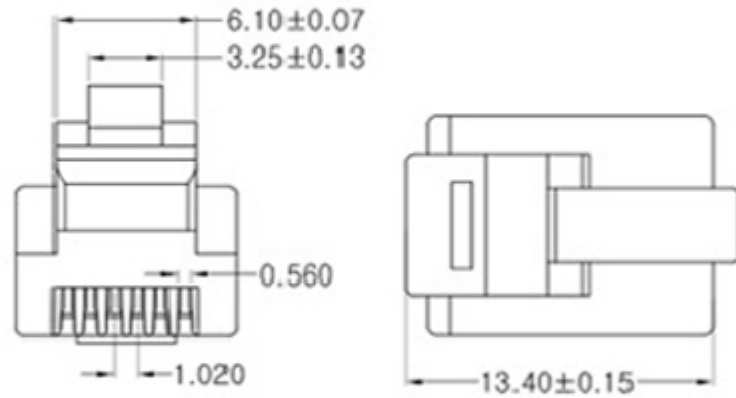


| | | |
|------|---------|-------|
| REV. | ECN.NO. | APPD. |
| A0 | NEW DWG | LJF |



FEATURES:

1.Electrlal Test

- A.250V AC max at 2amps
- B.Dielecrtic with standing 500VOlts AC.
- C.Insulation Resistance: 500 megoohms.
- D.Termination Resistance: 35 megoohms.

2 .Mechanical:

- A.Cable-to-Plug strength-20LBs(89N)
- B.Durability:500 mating cycles
- c.gold plating

| | | | | | |
|--------------------------------------|------------|--|-----------------|-------|---------|
| TOLERANCE UNLESS OTHERWISE SPECIFIED | | HLW 深圳市华联威电子科技有限公司 | | | |
| .XXX ±0.10 | | HUA LIAN WEI TECHNOLOGY ELECTRONICS CO.;LTD. | | | |
| .XX ±0.20 | | .X' ±3' | | | |
| .X ±0.30 | | .XX' ±2' | | | |
| APPROVED | | PART NAME: | RJ11 水晶头 6P4C | | |
| CHECKED | | PART No: | RJ11-001-G23057 | C | |
| DRAWN | Deng Shan | PROJECTION: | UNIT: | SCALE | SHEET |
| DATE | 2020.08.17 | | mm | 1:1 | 10F1 |
| | | | | | REV. A0 |