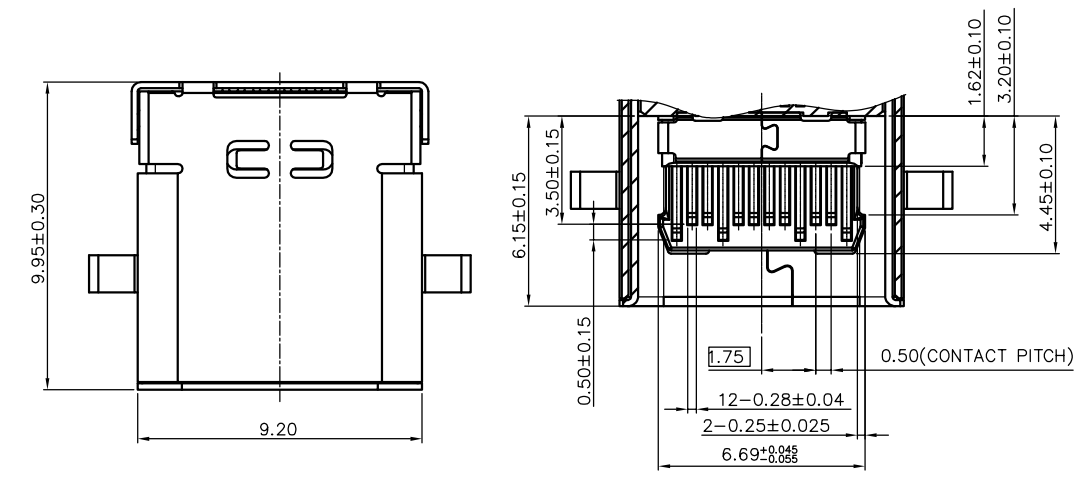
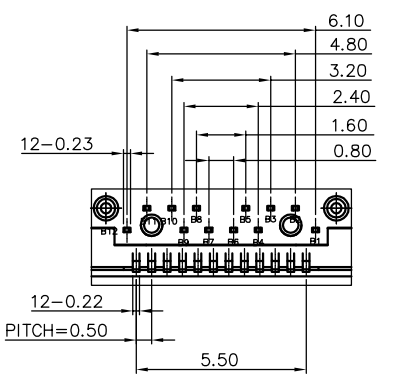
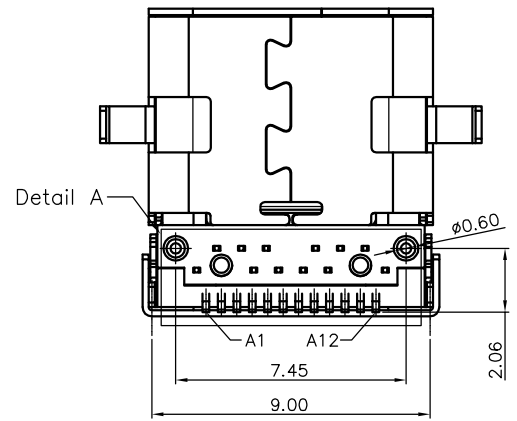
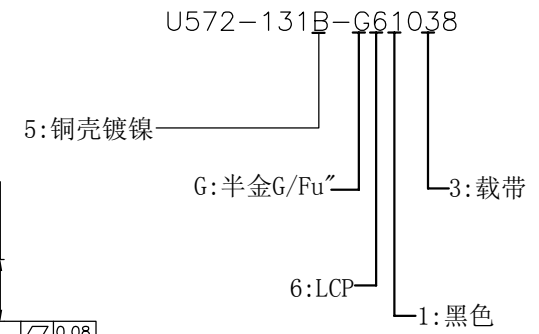
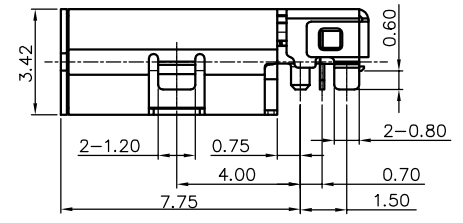
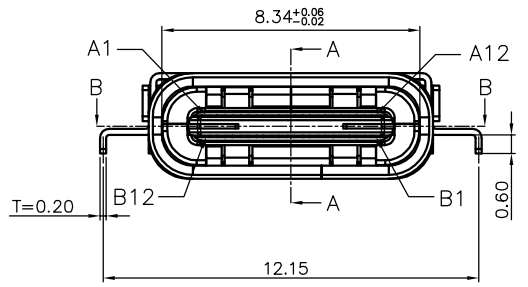


REV.	ECN.NO.	APPD.
A	EXXXXXXXXXX	yangguifeng

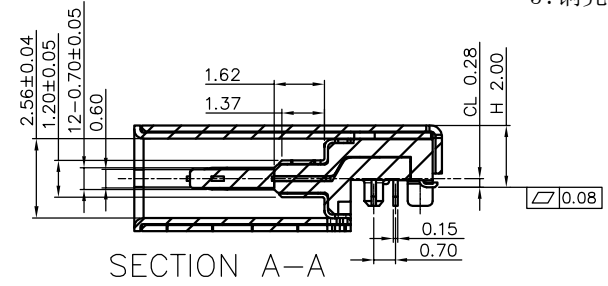
NOTES:
 1.MATERIAL:
 1.1 Housing: thermoplastic plastics
 1.2 terminals: Copper Alloy
 Gold plated in contact area:
 Tin plated in termination
 Nickel Plated overall
 1.3 Shell: Steel&Copper Alloy
 Nickel/Au Plated overall
 2.characteristics:
 2.1 Rating Voltage : 30V AC.
 2.2 Rating Current:
 5A for Vbus PIN;1.25A for Vconn PIN
 2.3 Contact Resistance:40 mΩ MAX.
 2.4 Insulation Resistance:100 MΩ MIN.
 2.5 Withstanding Voltage:AC 100V
 2.6 Mating force: 5~20N MAX
 2.7 Extraction force:8~20N Min
 2.8 Life test:10000Cycles MIN.
 2.9 Temperature Range: -30℃~+80℃.
 The product must be compliance ROHS



SECTION B-B



Detail A



SECTION A-A

TOLERANCE UNLESS OTHERWISE SPECIFIED		HLW 深圳市华联威电子科技有限公司 HUA LIAN WEI TECHNOLOGY ELECTRONICS CO;LTD.					
.XXX ±0.10	.X' ±3'	APPROVED	PART NAME:	TYPE C 24P 沉板双壳半插半贴长款			
.XX ±0.20	.XX' ±2'	CHECKED	PART No:	U572-131B-G61038			C
.X ±0.30		DRAWN yangguifeng	PROJECTION:	UNIT:	SCALE	SHEET	REV.
		DATE 2021.12.01		mm	1:1	1 OF 1	A