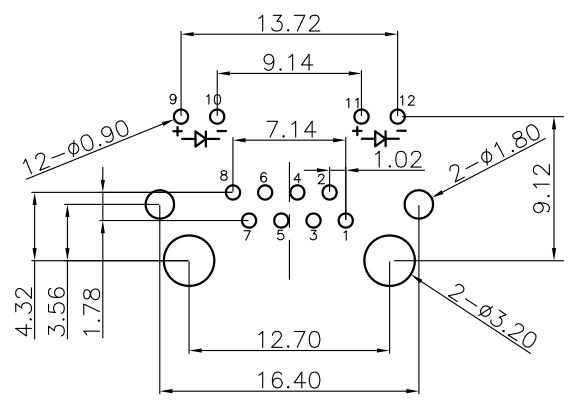
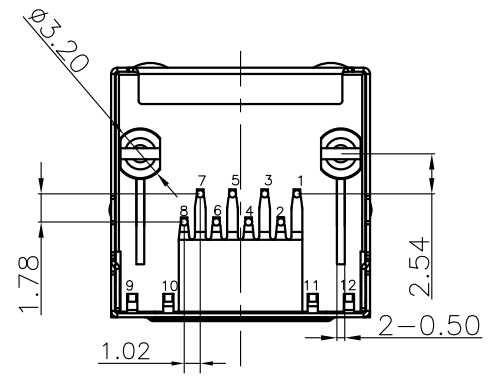
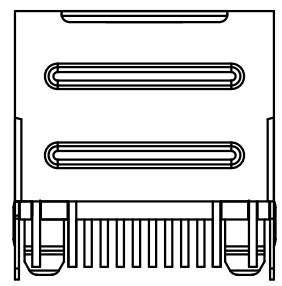
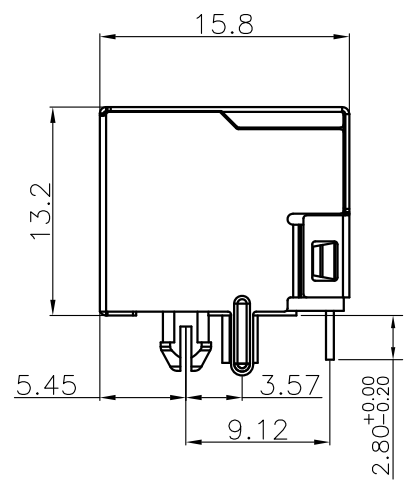
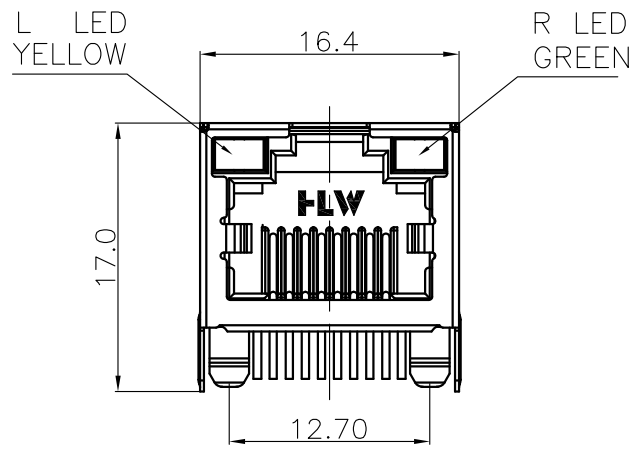


REV.	ECN.NO.	APPD.
B	/	TZJ



P.C.B LAYOUT TOP VIEW

NOTES:

- 1.MATERIAL:
 - 1.1 Housing:thermoplastic plastics
 - 1.2 terminals:Copper Alloy
Gold plated in contact area:
OR Gold Plated overall
 - 1.3 Shell:Steel&Copper Alloy
Nickel/Tin Plated overall
- 2.ELECTRICAL CHARACTERISTICS:
 - 2.1 Rating Current :1.5 Ampere
 - 2.2 Rating Voltage :125 V Max
 - 2.3 Contact Resistance:50 Milli ohms
 - 2.4 Insulation Resistance:500 Mega ohms Min.
- 3.MECHANICAL CHARACTERISTICS:
 - 3.1 Connector Mating force: 2.27kgf MAX
 - 3.2 Durability:750Cycles.
- 4.ENVIRONMENT CHARACTERISTICS:
 - 4.1 Operating temperature:-40°C to +85°C
 - 4.2 Storage temperature:-10°C to +40°C

R580-110X9-XXX0X1-1
 1:tray
 2:Yellow/Green
 1:Black
 G:gold flash
 6:LCP

TOLERANCE UNLESS OTHERWISE SPECIFIED		FLW 深圳市华联威电子科技有限公司			
.XXX ±0.10 .XX ±0.20 .X ±0.30		.X' ±3' .XX' ±2'		HUA LIAN WEI TECHNOLOGY ELECTRONICS CO;LTD.	
APPROVED		PART NAME:	RJ45单层单PORT 无弹 左黄右绿LED		
CHECKED		PART No:	R580-11029-G61011-1	C	
DRAWN	TZJ	PROJECTION:	UNIT:	SCALE	SHEET
DATE	2021.12.07		mm	1:1	10F1
					REV. B