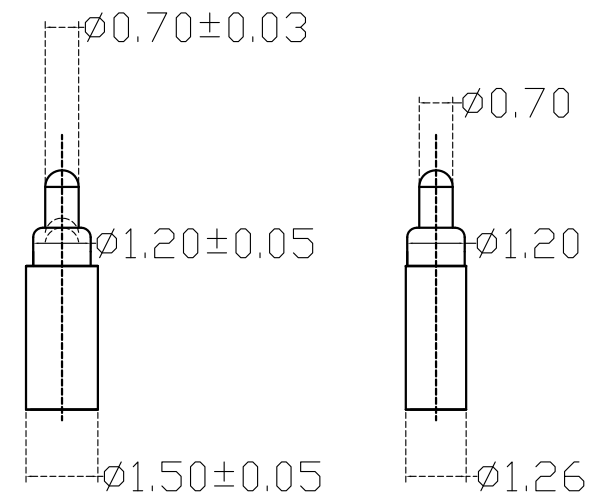
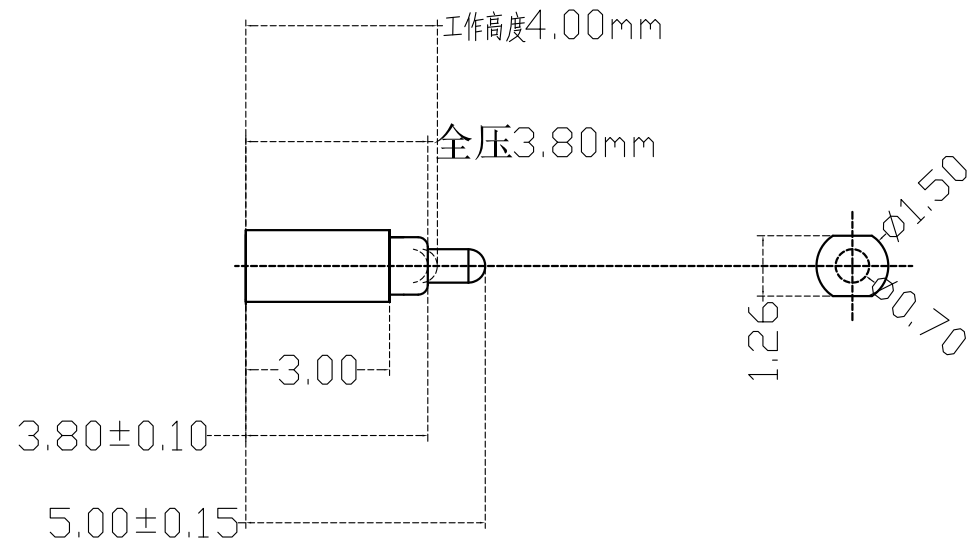


REV.	ECN.NO.	APPD.
A	/	ZFY



NOTE

1. Material
Plunger: Brass C3604
Barrel: Brass C3604
Spring: SUS304
Housing: PA46
2. Plating
Plunger: 1 micro-inch minimum Au over 50 micro-inch nickel
Barrel: 1 micro-inch minimum Au over 50 micro-inch nickel
3. Electrical
Rated current & voltage: DC 12V; 1.0A Max.
Contact resistance: 50 mohm maximum at normal working height(quiescence)
4. Mechanical
Spring force: 45g±10g at normal working height (travel 1.0mm)
Durability: 10,000 cycles(minimum)
5. To ensure the best usage, please operate it based on the working height
Based on the engineering drawings, shall not exceed the maximum allowed compression
6. To avoid arcing issue, The adaptor start to power supply after connector mated fully.
7. RoHS compliant product.
8. SALT SPRAY: 24H

304206-0100-10R
1:半金1u"

TOLERANCE UNLESS OTHERWISE SPECIFIED		HLW 深圳市华联威电子科技有限公司			
.XXX ±0.15	.XX ±0.20	.X ±0.30	HUA LIAN WEI TECHNOLOGY ELECTRONICS CO;LTD.		
APPROVED		PART NAME:		弹簧天线顶针大电流	
CHECKED		PART No:		304206-0100-10R	C
DRAWN	ZhangFenYan	PROJECTION:	UNIT:	SCALE	SHEET
DATE	2018.10.10		mm	1:1	10F1
					REV.
					A