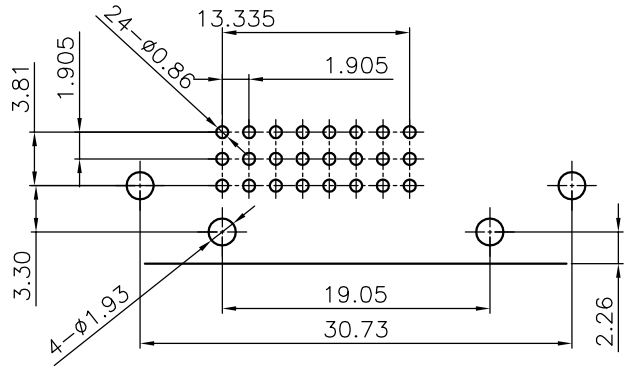
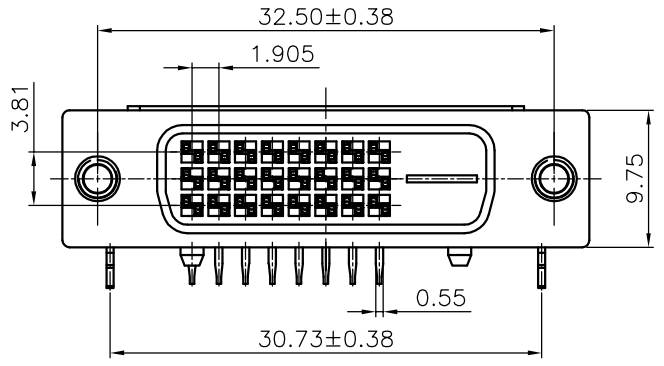
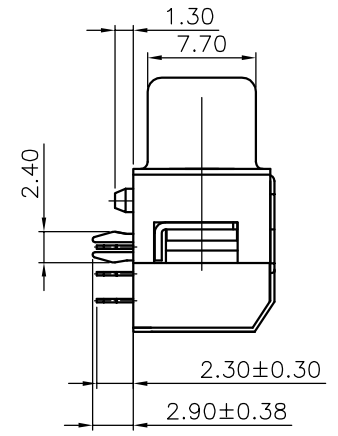
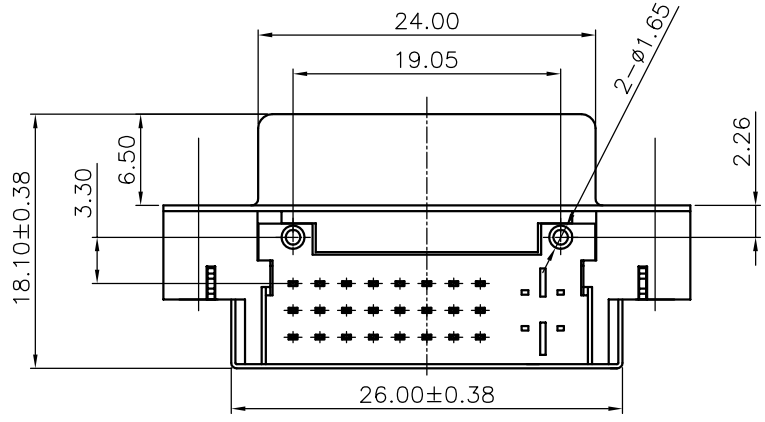


REV.	ECN.NO.	APPD.
A	XXXXXXXXXX	chenyiting



PCB LAYOUT

- 1.SPECIFICATION
- 2.1 Current Rate:5 Amps
 - 2.2 Insulator Resistance:1000MΩ Min.
 - 2.3 Dielectric Strength:500V AC PER MIN
 - 2.4 Operation Temperature:-55℃~+105℃
 - 2.5 Contact Resistance:30m Ω Max



DS413-4036-G22017

1:吸塑盒

2:灰色

G:半金G/Fu"

2:PBT

TOLERANCE UNLESS OTHERWISE SPECIFIED		HLW 深圳市华联威电子科技有限公司				
.XXX ±0.10 .XX ±0.20 .X ±0.30		.X ±3 .XX ±2		HUA LIAN WEI TECHNOLOGY ELECTRONICS CO;LTD.		
APPROVED		PART NAME:	DVI24+1卧式组合母座			
CHECKED		PART No:	DS413-4036-G22017	C		
DRAWN	chenyiting	PROJECTION:	UNIT:	SCALE	SHEET	REV.
DATE	2023.03.20		mm	1:1	1 OF 1	A