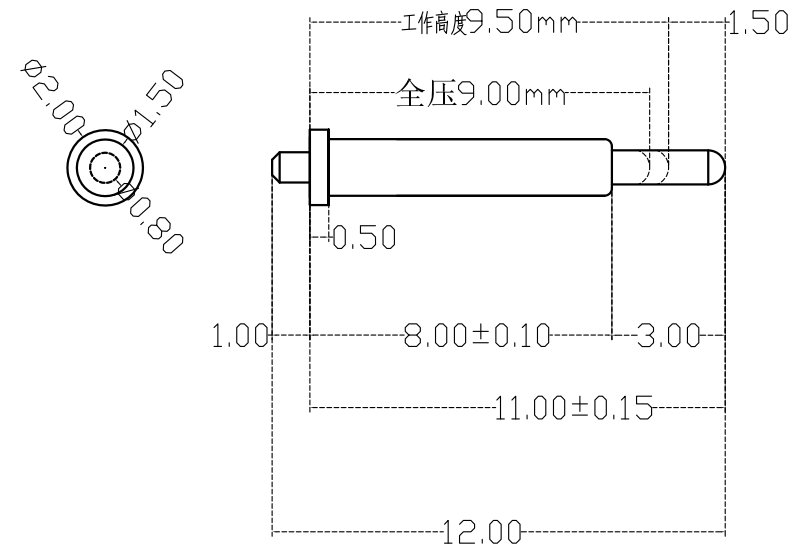
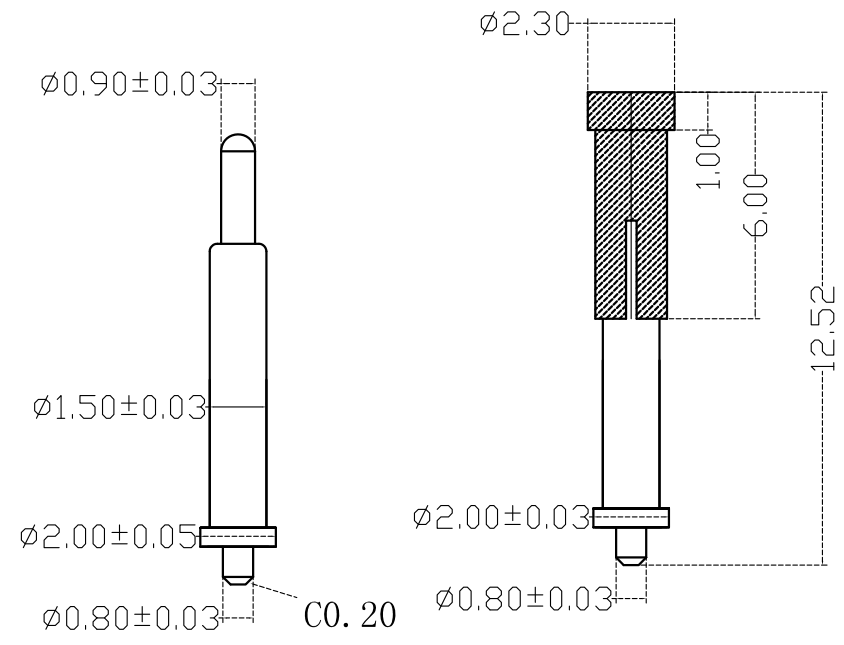


REV.	ECN.NO.	APPD.
A	/	ZFY



1.Plating

Plunger: 3 micro-inch minimum Au over 80-120 micro-inch nickel
 Barrel: 3 micro-inch minimum Au over 80-120 micro-inch nickel

2.Electrical

Rated current & voltage: DC 12V; 1.0A Max.
 Contact resistance: 50 mohm maximum at normal working height(quiescence)

3.Mechanical

Spring force: 20g±5g at normal working height (travel 1.5mm)
 Durability: 10,000 cycles(minimum)

4.To ensure the best usage,please operate it based on the working height
 Based on the engineering drawings,shall not exceed the maximum allowed compression

5.To avoid arcing issue, The adaptor start to power supply after connector mated fully.

6.RoHS compliant product.

TOLERANCE UNLESS OTHERWISE SPECIFIED		HLW 深圳市华联威电子科技有限公司			
.XXX ±0.15	.XX ±0.20	.X ±0.30	HUA LIAN WEI TECHNOLOGY ELECTRONICS CO;LTD.		
'X' ±5°	.'XX' ±2°				
APPROVED		PART NAME:	弹簧顶针 SMT贴片顶针天线		
CHECKED		PART No:	304206-0020-198	C	
DRAWN	ZhangFenYan	PROJECTION:	UNIT:	SCALE	SHEET
DATE	2018.10.10		mm	1:1	10F1
					REV. A