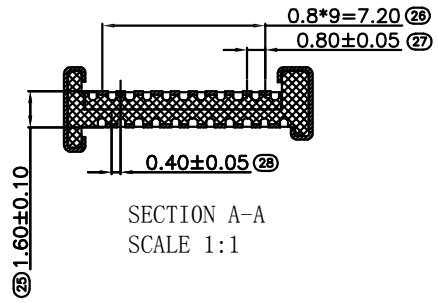
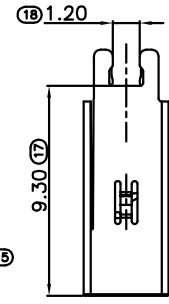
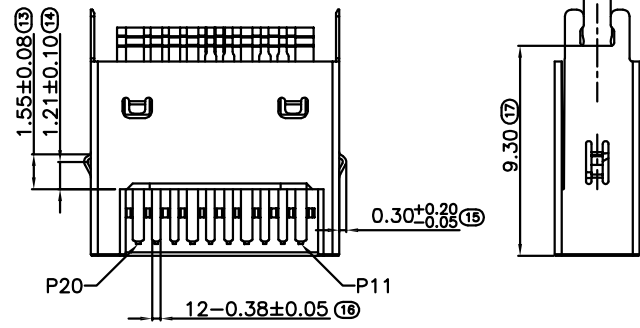
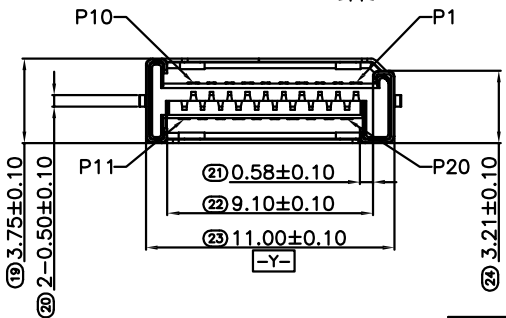
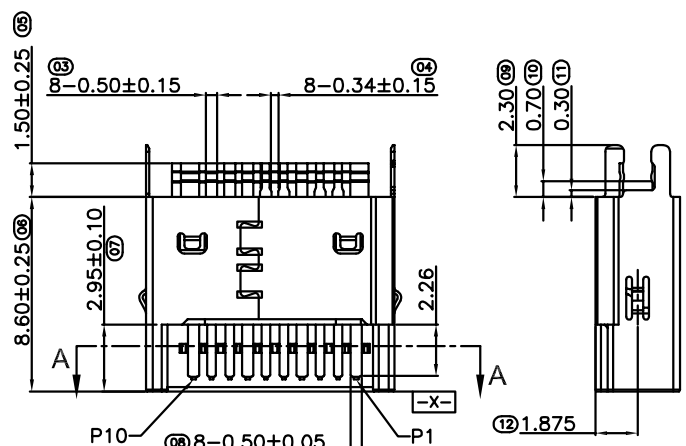
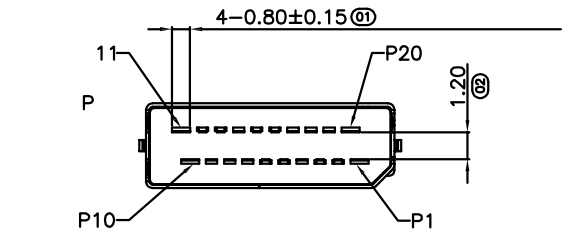
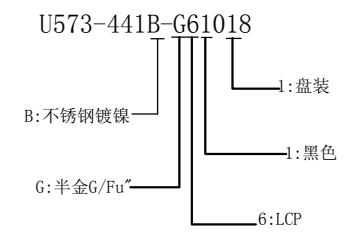


REV.	ECN.NO.	APPD.
A	/	ZFY



NOTES:  
 1.MATERIAL:  
 1.1 Housing: thermoplastic plastics  
 1.2 terminals: Copper Alloy  
     Gold plated in contact area:  
     Tin plated in termination  
     Nickel Plated overall  
 1.3 Shell: Steel&Copper Alloy  
     Nickel/Au Plated overall  
 2.characteristics:  
 2.1 Rating Voltage : 30V AC.  
 2.2 Rating Current:  
     5A for Vbus PIN;1.25A for Vconn PIN  
 2.3 Contact Resistance:40 mΩ MAX.  
 2.4 Insulation Resistance:100 MΩ MIN.  
 2.5 Withstanding Voltage:AC 100V  
 2.6 Mating force: 5~20N MAX  
 2.7 Extraction force:8~20N Min  
 2.8 Life test:10000Cycles MIN.  
 2.9 Temperature Range: -30℃~+80℃.  
 The product must be compliance ROHS



Key-A 20-Pin Plug to One Type-C Port										
Pin No.	P1	P2	P3	P4	P5	P6	P7	P8	P9	P10
Signal Nome	VBUS	TX1+	TX1-	GND	RX1+	RX1-	VBUS	CC1	SBU1	SBU2
Key-A 20-Pin Plug to One Standard-A Port										
Pin No.	P1	P2	P3	P4	P5	P6	P7	P8	P9	P10
Signal Nome	VBUS	TX1+	TX1-	GND	RX1+	RX1-	VBUS	CC1		
Key-A 20-Pin Plug to One Standard-A Port										
Pin No.	P1	P2	P3	P4	P5	P6	P7	P8	P9	P10
Signal Nome		D+	D-	GND			GND			VBUS
Pin No.	P20	P19	P18	P17	P16	P15	P14	P13	P12	P11

TOLERANCE UNLESS OTHERWISE SPECIFIED		<b>FLW</b> 深圳市华联威电子科技有限公司			
.XXX ±0.15 .XX ±0.20 .X ±0.30		.X' ±5' .XX' ±2'		HUA LIAN WEI TECHNOLOGY ELECTRONICS CO;LTD.	
APPROVED		PART NAME:	TYPE C 3.1夹板脚长1.5		
CHECKED		PART No:	U573-441B-G61018	C	
DRAWED	ZhangFenYan	PROJECTION:	UNIT:	SCALE	SHEET
DATE	2018.10.10		mm	1:1	10F1
					REV. A