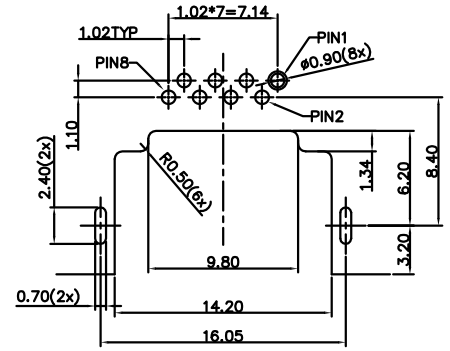
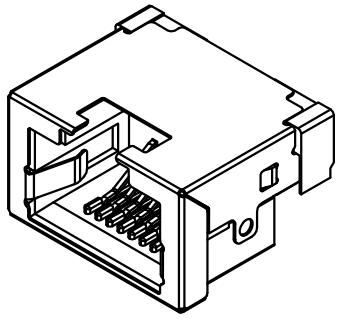
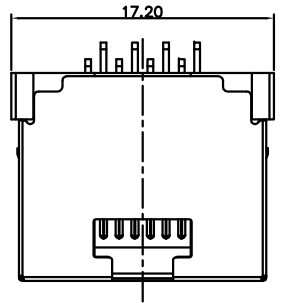
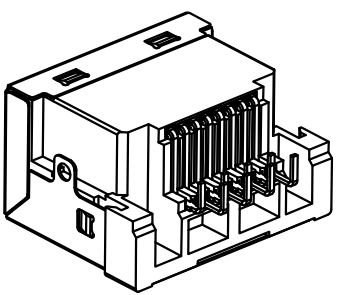
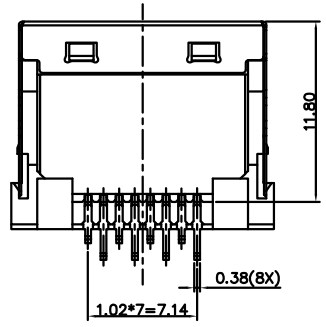
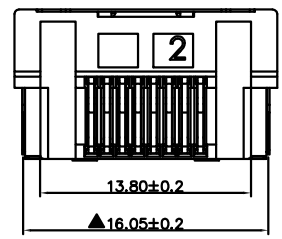
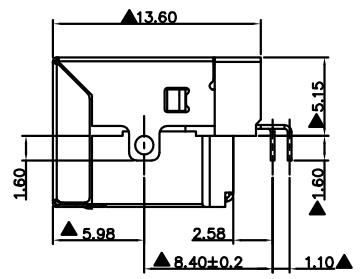
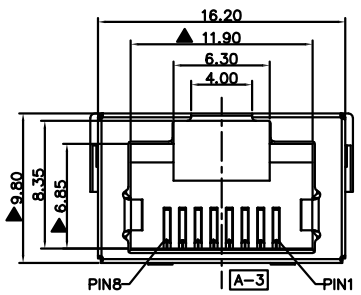


REV.	ECN.NO.	APPD.
A	/	/



RECOMMENDED PCB LAYOUT
TOLERANCE ±0.05



NOTES:

- MATERIAL:**
 - Housing: thermoplastic plastics
 - terminals: Copper Alloy
Gold plated in contact area:
OR Gold Plated overall
 - Shell: Steel&Copper Alloy
Nickel/Tin Plated overall
- ELECTRICAL CHARACTERISTICS:**
 - Rating Current :1.5 Ampere
 - Rating Voltage :125 V Max
 - Contact Resistance:50 Milli ohms
 - Insulation Resistance:500 Mega ohms Min.
- MECHANICAL CHARACTERISTICS:**
 - Connector Mating force: 2.27kgf MAX
 - Durability:750Cycles.
- ENVIRONMENT CHARACTERISTICS:**
 - Operating temperature:-40°C to +85°C
 - Storage temperature:-10°C to +40°C

R5D0-1104B-G31018
G: 半金G/Fu^z 1: 黑色
3: PA46

TOLERANCE UNLESS OTHERWISE SPECIFIED		FLW 深圳市华联威电子科技有限公司			
.XXX ±0.10 .XX ±0.20 .X ±0.30		.X' ±3' .XX' ±2'		HUA LIAN WEI TECHNOLOGY ELECTRONICS CO;LTD.	
APPROVED		PART NAME:	RJ45 沉板90度 H5.15黑铜		
CHECKED		PART No:	R5D0-1104B-G31018	C	
DRAWN	weihong	PROJECTION:	UNIT:	SCALE	SHEET
DATE	2021.7.23		mm	1:1	10F1
					REV. A