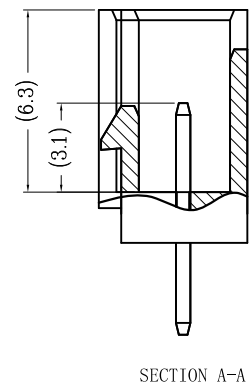
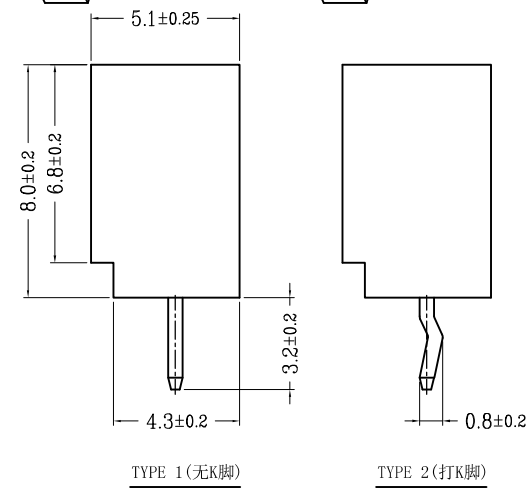
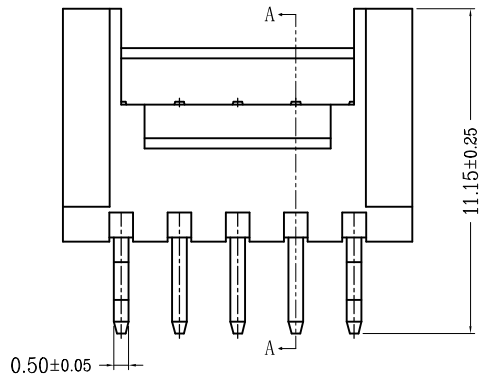
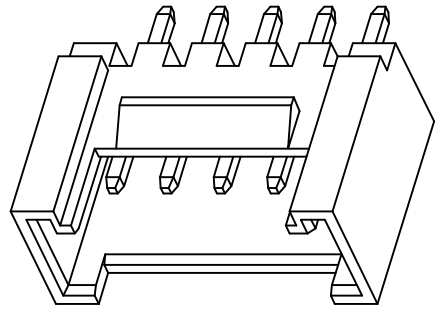
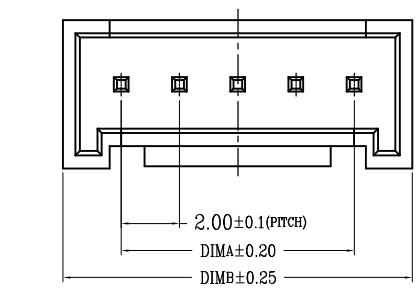


REV.	ECN.NO.	APPD.
A	/	/

CKT	A	B	CKT	A	B
2	2.0	6.0	12	22.0	26.0
3	4.0	8.0	13	24.0	28.0
4	6.0	10.0	14	26.0	30.0
5	8.0	12.0	15	28.0	32.0
6	10.0	14.0	16	30.0	34.0
7	12.0	16.0	17	32.0	36.0
8	14.0	18.0	18	34.0	38.0
9	16.0	20.0	19	36.0	40.0
10	18.0	22.0	20	38.0	42.0
11	20.0	24.0			



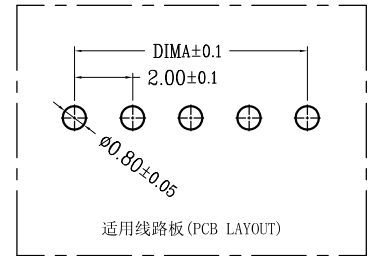
216104-0310-XX8

- 1: Au 1u"
- 3: Au 3u"
- 5: Au 5u"
- 7: Au 10u"
- 8: Au 15u"
- A: Au 30u"
- G: Au G/Fu"

- 1: PA66
- 2: PBT
- 6: LCP

技术指标 (Technical Index):

1. 温度范围 (Temperature range): -25° C ~ +85° C.
2. 额定电压 (Rated voltage): 200V, AC.
3. 额定电流 (Rated current): 2.0A AC, DC.
4. 接触电阻 (Contact resistance): ≤ 25mΩ.
5. 耐压值 (Withstanding voltage): 500V AC/minute.
6. 绝缘电阻 (Insulation resistance): ≥ 1000MΩ.



TOLERANCE UNLESS OTHERWISE SPECIFIED	
.XXX ±0.10	.X° ±3°
.XX ±0.20	.XX° ±2°
.X ±0.30	

**FLW** 深圳市华联威电子科技有限公司  
HUA LIAN WEI TECHNOLOGY ELECTRONICS CO.;LTD.

APPROVED		PART NAME:	针座立式间距2.0			
CHECKED		PART No.:	216104-0310-X68			
DRAWN	weihong	PROJECTION:	UNIT:	SCALE	SHEET	REV.
DATE	2021.09.06		mm	1:1	10F1	A