

9 8 7 6 5 4 3 2 1

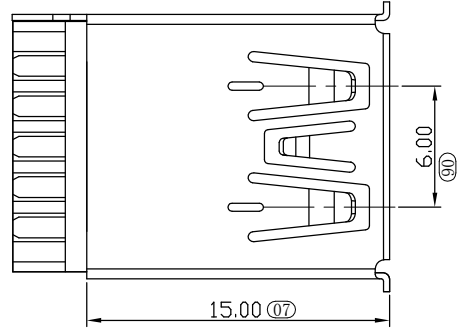
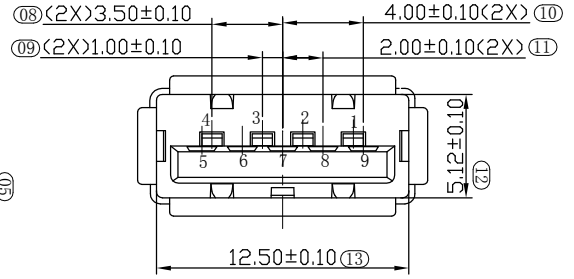
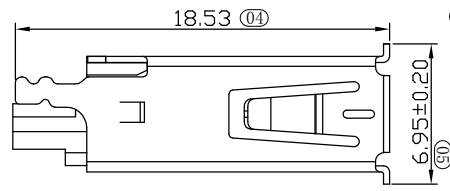
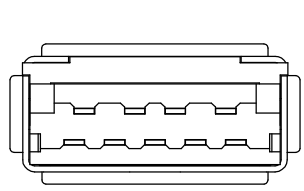
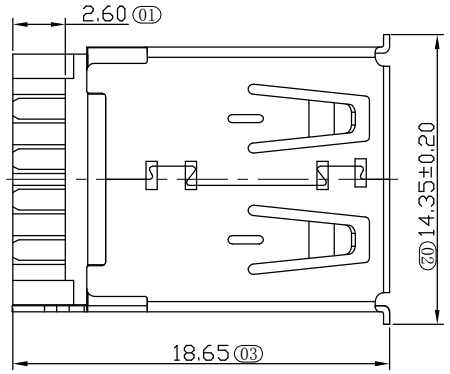
REV.	ECN.NO.	APPD.
A	/	pcy
A1	/	LJF

SPECIFICATIONS:
 Contact current Rating:
 1.8 Amperes for pin1&pin4.
 0.25 Amperes other contacts
 Dielectric Withstanding Voltage:AC 100V(RMS)
 Insulation resistance:100Megohms Minimum.
 Contact Resistance:
 30mΩ Max for pin1&pin4
 50mΩMax for other contacts
Mechanical Characteristics:
 Mating Force:35 Newtoms.Maximum
 Unmating Force:10 Newtoms.Mlimum.
 8N Min After Durability

MATERIAL:
 Housing: PBT+30%GF 94V-0
 Contact: copper alloy(T=0.25mm)
 Shell: Brass/SPCC
PLATING:
 Contact: Au Plated on contact area
 Tin Plated on solder area
 Nickel underplating over all
 Shell: Nickel Plated
 operating Temperature:-55° to+85°
 Ⓞ SHOWS FAI MEASUREMENT POINT.
 ⚠ SHOWS Modify MEASUREMENT POINT.

U321-032X-XXX0X7

- 1:Iron alloy
- Ni plating
- 5:Copper alloy
- Ni plating
- 1:Au 1u"
- 3:Au 3u"
- 5:Au 5u"
- 7:Au 10u"
- 8:Au 15u"
- A:Au 30u"
- G:Au G/Fu"
- 1:tray
- 1:Black
- 2:White
- 3.Beige
- 7.biue
- 1:PA66
- 2:PBT
- 6:LCP



TOLERANCE UNLESS OTHERWISE SPECIFIED	
.XXX ±0.10	.X' ±3'
.XX ±0.20	.XX' ±2'
.X ±0.30	

FLW 深圳市华联威电子科技有限公司
 HUA LIAN WEI TECHNOLOGY ELECTRONICS CO;LTD.

APPROVED		PART NAME:	USB 3.0 AF 180° 焊线A款无缺口			
CHECKED		PART No:	U321-0321-X27017			C
DRAWN	Lijinfeng	PROJECTION:	UNIT:	SCALE	SHEET	REV.
DATE	2021.08.03		mm	1:1	10F1	A1

F
E
D
C
B
A

F
E
D
C
B
A

9 8 7 6 5 4 3 2 1