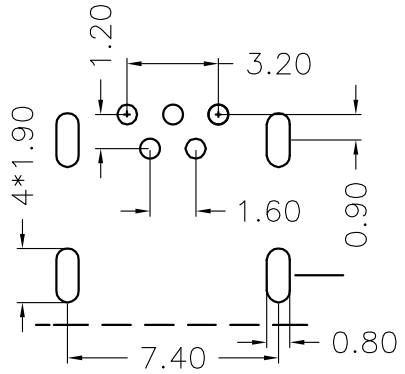
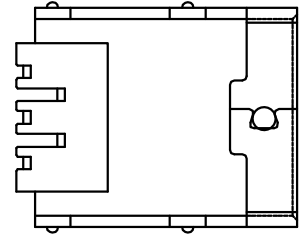
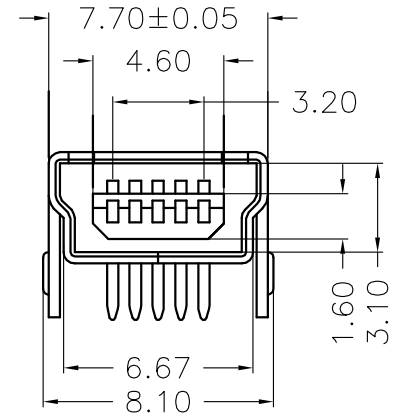
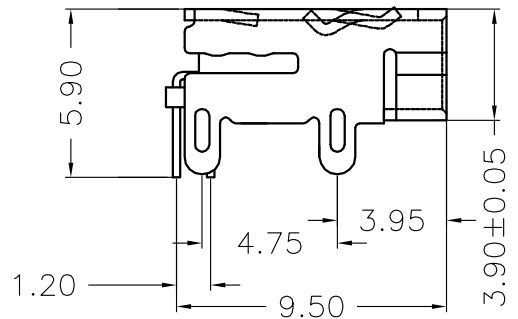
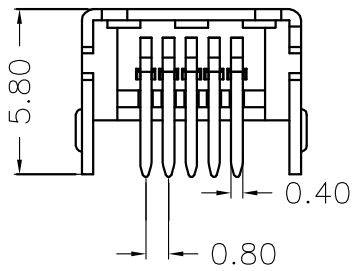
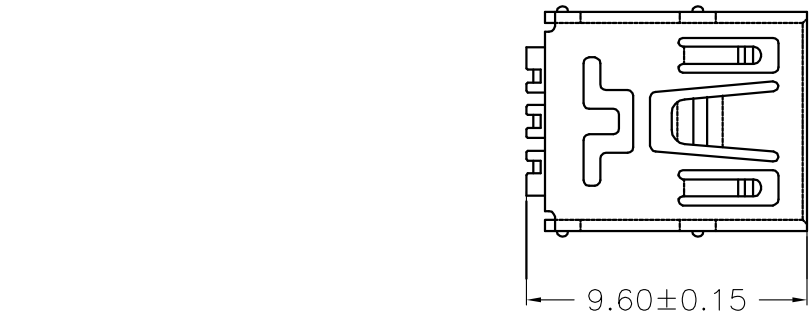


REV.	ECN.NO.	APPD.
A0	/	/



RECOMMENDED PCB LAYOUT

- NOTES:
- MATERIAL:
 - Housing: thermoplastic plastics.
 - terminals: Copper Alloy
Gold plated in contact area:
Tin 40u"min plated in termination
Nickel Plated overall
 - Shell: Steel & Copper Alloy
Nickel/Tin Plated overall
 - ELECTRICAL CHARACTERISTICS:
 - Rating Current : 1.5 Ampere
 - Rating Voltage : 30 V Max
 - Contact Resistance: 50 Milli ohms
 - Insulation Resistance: 100 Mega ohms Min.
 - MECHANICAL CHARACTERISTICS:
 - Connector Mating force: 35N MAX
 - Connector Unmating force: 7N min
 - ENVIRONMENT CHARACTERISTICS:
 - Operating temperature: -0°C to +50°C
 - Storage temperature: -20°C to +60°C

- U141-0715-G61018
- 5: 铜壳镀镍
 - G: 半金G/Fu"
 - 6: LCP
 - 1: 吸塑盒
 - 1: 黑色

TOLERANCE UNLESS OTHERWISE SPECIFIED		FLW 深圳市华联威电子科技有限公司 HUA LIAN WEI TECHNOLOGY ELECTRONICS CO;LTD.			
.XXX ±0.10	.XX ±0.20	.X ±0.30	.X' ±3'	.XX' ±2'	
APPROVED		PART NAME:	MINI 5P/F 90度 四脚		
CHECKED		PART No:	U141-0715-G61018	C	
DRAWN	chenyiting	PROJECTION:	UNIT:	SCALE	SHEET
DATE	2023.04.19		mm	1:1	10F1
					REV.
					A0