

承 认 书

Approval Sheet

客户 (Customer): /

客户料号 (Cus .P/N): /

华联威料号 (HLW P/N): MD81-9420-G87

品名规格 (PronameSpec): 双层 USB+MINI-DIN

送样日期 (Delivery Date): 2021/12/16

承认日期 (Acknowledge Date): 2021/12/21

| | | | |
|---|------------------|---------------------------|--------------------|
| Approved No: | | 客 户 Customer | |
| 采 购 部 Purchasing Dept | 品 质 部 QC Dept | 工 程 部 Engineering Dept | 确 认 Approved By |
| | | | |
| 深 圳 市 华 联 威 电 子 科 技 有 限 公 司 SHEN ZHEN SHI HUA LIAN WEI ELECTRONICS TECHNOLOGY CO; LTD. | | | |
| 业 务 部 Sales Dept | 品 管 部 QC Dept | 工 程 部 Engineering Dept | 核 准 Checked By |
| 将成英 | 欠必锋 | 杨桂锋 | 唐竹君 |

地址: 深圳市龙华区观澜街道桂香社区观澜桂花路 307 号

TEL: 0755-28888886 28888866

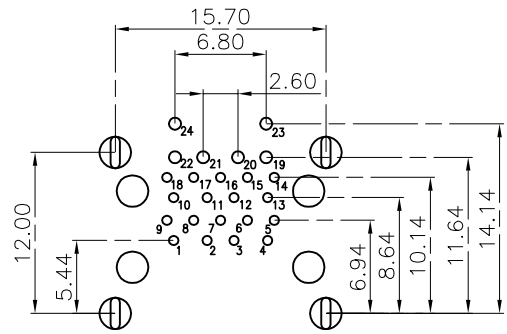
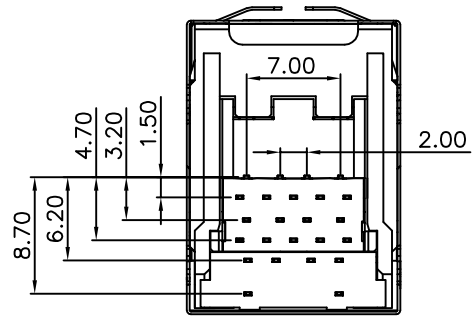
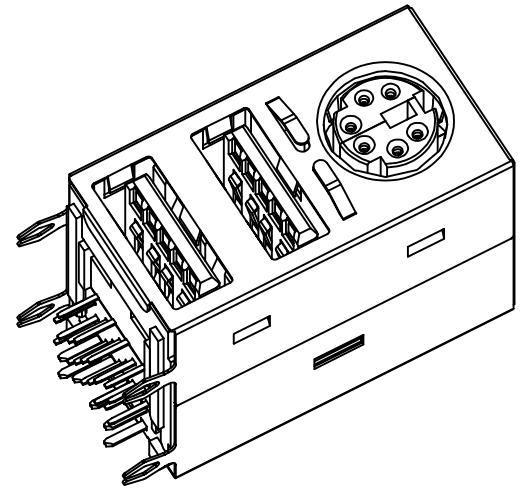
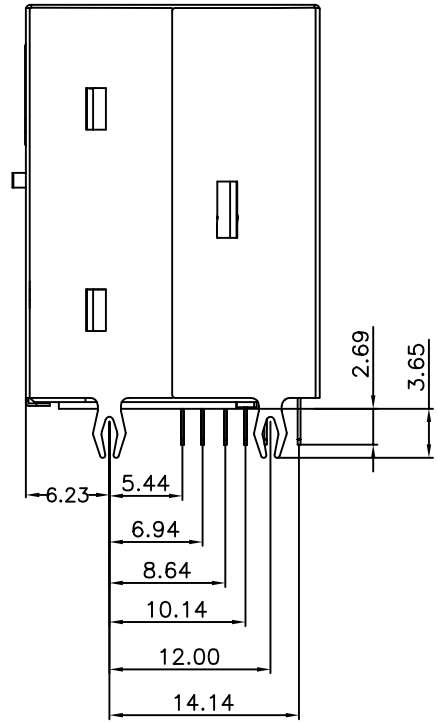
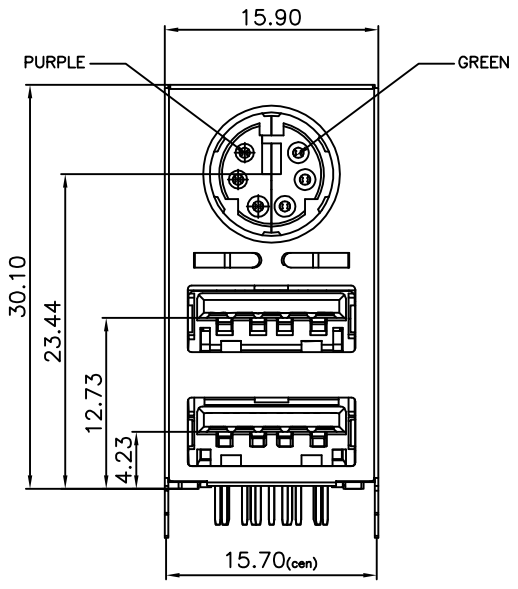
hua@hlwconn.com

[Http://www.hlwconn.com](http://www.hlwconn.com)

目 录

Contents

| | |
|-------------|-----------|
| 图纸..... | Page03 |
| 产品规格书..... | Page04-06 |
| 产品检测报告..... | Page07-08 |
| 尺寸测试报告..... | Page09 |
| 电镀报告..... | Page10-11 |
| 盐雾报告..... | Page12 |
| 材质证明..... | Page13-15 |
| SGS..... | Page16-53 |



- NOTES:
- MATERIAL:
 - Housing:thermoplastic plastics
 - terminals:Copper Alloy
Gold plated in contact area:
Tin plated in termination
Nickel Plated overall
 - Shell:Steel&Copper Alloy
Nickel/Tin Plated overall
 - ELECTRICAL CHARACTERISTICS:
 - Rating Current :1.5 Ampere
 - Rating Voltage :125 V Max
 - Contact Resistance:40 Milli ohms
 - Insulation Resistance:500 Mega ohms Min.
 - MECHANICAL CHARACTERISTICS:
 - Connector Mating force: 44.1N MAX(4.5Kgf)
Unmating force: 0.9-3.5Kgf
 - ENVIRONMENT CHARACTERISTICS:
 - Operating temperature:-40°C to +85°C
 - Storage temperature:-40°C to +85°C

| | | | | | | |
|--------------------------------------|------------|---|-------------------|----------|-------|------|
| TOLERANCE UNLESS OTHERWISE SPECIFIED | | FLW 深圳市华联威电子科技有限公司 HUA LIAN WEI TECHNOLOGY ELECTRONICS CO.,LTD. | | | | |
| .XXX ±0.10 | .XX ±0.20 | .X ±0.30 | .X* ±3* | .XX* ±2* | | |
| APPROVED | | PART NAME: | MINI DIN+双层USB3.0 | | | |
| CHECKED | | PART No: | MD81-9420-G87 | C | | |
| DRAWN | weihong | PROJECTION: | UNIT: | SCALE | SHEET | REV. |
| DATE | 2021.07.14 | | mm | 1:1 | 10F1 | A0 |

| TEST ITEM | | REQUIREMENT | PROCEDURE |
|-------------------------------|---------------------------------|---|---|
| 1 | Examination of Product | Meets requirements of product drawing. No physical damage. | Visual inspection. |
| 2 | Operating Temperature | 0°C ~+50°C | |
| 3 | Storage Temperature | -40°C ~+85°C | |
| ELECTRICAL REQUIREMENT | | | |
| 4 | Rating Voltage | 125V AC max | |
| 5 | Rating Current | 1.5Amperes max | |
| 6 | Contact Resistance | [30] m Ohm Max(Initial) [50] m Ohm Max(Final) | Subject mated contacts assembled in housing to 20mV Max open circuit at 100mA Max. EIA-364-6B. Refer to Fig.3 |
| 7 | Dielectric withstanding Voltage | No creeping discharge or flashover shall occur. Current leakage: 2.0mA MAX | [500]VAC for 1minute Test between adjacent circuits of unmated connector. EIA-364-20B |
| 8 | Insulation Resistance | [500] M Ohm Min. | Impressed voltage 500 VDC. Test between adjacent circuits of unmated connector. EIA-364-21C. |
| 9 | Temperature Rising | 30°C Max. Under loaded rating current | Contact series-wired, apply test current of loaded rating current to the circuit, and measure the temperature rising by probing on soldered areas of contacts, after the temperature becomes stabilized deduct ambient temperature from the measured value. |
| Mechanical Requirement | | | |
| 10 | Connector Mating Force | 4.5 kgf Max. | Operation Speed : [7.5±3] mm/min. Measure the force required to mate connector. EIA-364-13B |

| | | | |
|----|--------------------------|---|--|
| 11 | Connector Unmating Force | 0.9 kgf Min. | Operation Speed : [7.5±3] mm/min. Measure the force required to unmate connector. EIA-364-13B |
| 12 | Durability | See Note | Operation Speed : [250] cycle/hour. Durability Cycles : 500 Cycles EIA-364-9C |
| 13 | Vibration | No electrical discontinuity greater than 0.1 or 1 μ sec shall occur. See Note. | Subject mated connectors to 10-55-10 Hz traversed in 1minutes at 1.52mm amplitude 2 Hours each of 3 mutually perpendicular planes. 100mA Max. Applied. EIA-364-28D |
| 14 | Mechanical Shock | No electrical discontinuity greater than 0.1 or 1 μ sec shall occur. See Note. | Accelerate Velocity : 490m/s2 (50G) Waveform : Half-sine shock plus Duration : 11msec No. of Drops : 3 drops each to normal and reversed directions of X,Y and Z axes, totally 18 drops, passing DC 1mA current during the test. EIA-364-27B |
| 15 | Solder ability | The inspected area of each lead must have 95% solder coverage minimum. | Steam Aging Preconditioning : 93+3/-5°C · 100%HR · 8hrs.<JESD22-B102D, Condition C>Solder pot temperature: 245±5°C , 5sec |

Environmental Requirements

| | | | |
|----|-------------------------------|--|--|
| 16 | Resistance to Solder Heat | No physical damage shall occur. (Lead-Free) | Solder Temp. : 245±5°C , 10±1sec. Tyco spec. 109-202, Condition B |
| 17 | Thermal Shock | See Note | Mated Connector -55+/-3°C (30 minutes), +85+/-2°C (30 minutes)Perform this a cycle, repeat 5 cycles EIA-364-32C |
| 18 | Humidity-Temperature Cycle | See Note | Mated Connector 25~65°C , 90~95% RH, 10 Cycles.EIA-364-31B. |
| 19 | Temperature Life (Heat Aging) | See Note | Mated Connector 85°C , 250 hours, EIA-364-17B. |
| 20 | Salt Spray | No detrimental corrosion allowed in contact area and base metal exposed. | Subject mated connectors to 35+/-2 °C and 5+/-1% salt condition for 12hours. After test, rinse the sample with water and recondition the room temperature for 1 hour. EIA-364-26B. |

Product Qualification and Requalification test

Test Group

| Test or Examination | A | B | C | D | E | F | G | H | I | J |
|-------------------------|------------------------------|------|------|------|------|------|------|------|------|------|
| | Test Sequence (a) | | | | | | | | | |
| Examination of Product | 1, 7 | 1, 9 | 1, 6 | 1, 5 | 1, 5 | 1, 5 | 1, 5 | 1, 3 | 1, 3 | 1, 3 |
| Contact Resistance | | 2, 8 | 2, 5 | 2, 4 | 2, 4 | 2, 4 | 2, 4 | | | |
| Dielectric withstanding | 3, 6 | | | | | | | | | |
| Insulation Resistance | 2, 5 | | | | | | | | | |
| Temperature Rising | | | | | | | | 2 | | |
| Mating Force | | 3, 7 | | | | | | | | |
| Unmating Force | | 4, 6 | | | | | | | | |
| Durability | | 5 | | | | | | | | |
| Vibration | | | 3 | | | | | | | |
| Mechanical Shock | | | 4 | | | | | | | |
| Solderability | | | | | | | | | | 2 |
| Resistance to Soldering | | | | | | | | | 2 | |
| Thermal Shock | | | | 3 | | | | | | |
| Humidity Temperature | 4 | | | | 3 | | | | | |
| Temperature Life | | | | | | 3 | | | | |
| Salt Spray | | | | | | | 3 | | | |
| 備注 | 無客戶指定增加測試項目外，依照此標準進行產品可靠性評估。 | | | | | | | | | |

核准：唐竹君

制作人：覃裕华

測試報告

TEST REPORT

| | | | | | |
|-------------------|----------------|-------------------------|---------------------------|-------------------------------|-----------------------------------|
| 產品名稱 Part Name | 双层USB+MINI-DIN | 測試日期 Date of Testing | 2021.12.16- 2021.12.21 | 報告編號 Report NO. | MD20211224-02 |
| 產品型號 Part Name | MD81-9420-G87 | 樣品數量 Quantity | 5PCS | 測試環境 Measuring Environment | 濕度 Temp:18~21°C 相對濕度RH:49□~57□ |

一.電性測試 ELECTRICAL TEST

| 序號 NO. | 測試項目 Testing Item | 測試條件 Testing Conditions | 測試設備 Testing Equipment | 規格 SPEC | 測試記錄Testing Result | | | | | 判定Judge | |
|-----------|------------------------------|--|-----------------------------|---------------------------------|--------------------|----------|----------|----------|----------|---------|------|
| | | | | | 1 | 2 | 3 | 4 | 5 | Pass | Fail |
| 1 | Contact resistance | Test current:100mA max | DIGITAL MICRO-OHMMETER | 30 mΩ Max | 23.17 mΩ | 24.55 mΩ | 25.47 mΩ | 26.32 mΩ | 27.83 mΩ | P | |
| 2 | Insulation resistance | Test voltage:500VDC Operation stated:1min | ULTRA HIGH RESISTANCE METER | 100 MΩ Min | 247 MΩ | 285 MΩ | 317 MΩ | 355 MΩ | 412 MΩ | P | |
| 3 | Dielectric withstand voltage | Test voltage:500VAC Cut-off current:0.5mA Operation stated:1 min | BREAKDOWN TESTER | No discharge or flashover occur | Pass | Pass | Pass | Pass | Pass | P | |

二.機械特性測試 MECHANICAL TEST

| 序號 NO. | 測試項目 Testing Item | 測試條件 Testing Conditions | 測試設備 Testing Equipment | 規格 SPEC | 測試記錄Testing Result | | | | | 判定Judge | |
|-----------|----------------------|--|---------------------------------|--------------------|--------------------|------|------|------|------|---------|------|
| | | | | | 1 | 2 | 3 | 4 | 5 | Pass | Fail |
| 1 | Durability test | Rate:100cycles/hour Total: 10000cycles | LIFE TESTER FOR CONNECTOR | No physical damage | Pass | Pass | Pass | Pass | Pass | P | |
| 2 | Mating Force | 44.1 Newtons maximum at a maximum rare of 12.5mm(0.39") per minute | Insertion force testing machine | No physical damage | Pass | Pass | Pass | Pass | Pass | P | |
| 3 | Un-Mating Force | 9.8 Newtons minimum at a maximum rare of 12.5mm(0.492") per minute | Insertion force testing machine | No physical damage | Pass | Pass | Pass | Pass | Pass | P | |

三.環境特性測試 ENVIRONMENTAL TEST

| 序號 NO. | 測試項目 Testing Item | 測試條件 Testing Conditions | 測試設備 Testing Equipment | 規格 SPEC | 測試記錄Testing Result | | | | | 判定Judge | |
|-----------|----------------------------|---|--|--------------------|--------------------|------|------|------|------|---------|------|
| | | | | | 1 | 2 | 3 | 4 | 5 | Pass | Fail |
| 1 | Humidity-Temperature cycle | Temperature: 40±2°C Humidity: 90~95 Duration:168H | PROGRAM CONTROLLED TEMP. & HUMIDTY CHAMBER | No physical damage | Pass | Pass | Pass | Pass | Pass | P | |
| 2 | Heat test | Temperature: 70±2°C Duration:168H | OVEN | No physical damage | Pass | Pass | Pass | Pass | Pass | P | |

| | | | | | | | | | | | |
|---|--------------------------|---|--|--------------------|------|------|------|------|------|---|--|
| 3 | Cold test | Temperature: $-25 \pm 3^{\circ}\text{C}$ Duration:168H | PROGRAM CONTROLLED TEMP. & HUMIDTY CHAMBER | No physical damage | Pass | Pass | Pass | Pass | Pass | P | |
| 4 | Temperature cycling test | Temperature: $70 \sim 25^{\circ}\text{C}$ Duration:5 cycle | PROGRAM CONTROLLED TEMP. & HUMIDTY CHAMBER | No physical damage | Pass | Pass | Pass | Pass | Pass | P | |

四.物理測試 PHYSICAL TEST

| 序號 NO. | 測試項目 Testing Item | 測試條件 Testing Conditions | 測試設備 Testing Equipment | 規格 SPEC | 測試記錄 Testing Result | | | | | 判定 Judge | |
|-----------|-----------------------------------|---|-------------------------------------|----------------------------|---------------------|------|------|------|------|----------|------|
| | | | | | 1 | 2 | 3 | 4 | 5 | Pass | Fail |
| 1 | Salt spray test | Temperature: $35 \pm 2^{\circ}\text{C}$ Concentration: $5 \pm 1\%$ Duration:12H | SALT SPRAY TESTER | No Oxidation | Pass | Pass | Pass | Pass | Pass | P | |
| 2 | Resistance to soldering heat test | Temperature: $245 \pm 5^{\circ}\text{C}$ Duration: 10 ± 1 sec | OVEN | No physical damage | Pass | Pass | Pass | Pass | Pass | P | |
| 3 | Solder ability test | Temperature: $245 \pm 5^{\circ}\text{C}$ Duration: 5 ± 0.5 sec | CONTROLLED CONSTANT-TEMP SOLDER POT | Soldering area $\geq 95\%$ | Pass | Pass | Pass | Pass | Pass | P | |
| 判定 Result | | <input checked="" type="checkbox"/> 合格 (ACCEPT) <input type="checkbox"/> 不合格 (REJECT) | | | | | | | | | |

核准(Approver): 欠必鋒

測試(Tester): 但芬



深圳市华联威电子科技有限公司

檢驗報告

首件檢驗
 入庫檢驗
 出貨檢驗
 客退檢驗
 退料檢驗
 其他
 2021年12月21日 版次:A1

| | | | | | | | |
|----|----------------|------|---|------|------|-------|----|
| 料號 | MD81-9420-G87 | 制令單號 | / | 送檢單位 | 工程 | 首件製作者 | 裝配 |
| 品名 | 双层USB+MINI-DIN | 客戶代號 | / | 批 量 | / | 送檢時間 | / |
| | | | | 數 量 | 5PCS | 確認時間 | / |

| | | | | | | |
|------------------|--|----------|---------|-------|---------|----------|
| 抽樣標準 | <input checked="" type="checkbox"/> 單次 <input type="checkbox"/> 雙次 | 抽樣數 | AQL | CRI:0 | MAJ:0.4 | MIN:0.65 |
| MIL-STD-105E(II) | <input checked="" type="checkbox"/> 正常 <input type="checkbox"/> 加嚴 <input type="checkbox"/> 減量 | (5PCS) | ACC/REJ | 0 | / | / |

不良數: CRI (/) MAJ (/) MIN (/) 不良率(%) /

| NO. | 檢驗項目 單位:MM/G | 檢測 儀器 | 檢 驗 記 錄 | | | | | 品管判定 | | CRI | MAJ | MIN | 備注 |
|--------------|-----------------|----------|---------|-------|-------|-------|-------|------|----|-----|-----|-----|----|
| | | | 1 | 2 | 3 | 4 | 5 | AC | RE | | | | |
| 尺寸 測 量 | 15.20±0.30 | D | 15.14 | 15.08 | 15.27 | 15.32 | 15.36 | √ | | | | | |
| | 11.10±0.20 | D | 11.21 | 11.01 | 11.06 | 11.08 | 11.15 | √ | | | | | |
| | 5.12±0.30 | D | 5.10 | 5.04 | 5.01 | 5.16 | 5.19 | √ | | | | | |
| | 8.50±0.30 | D | 8.59 | 8.53 | 8.41 | 8.43 | 8.47 | √ | | | | | |
| | 11.90±0.30 | D | 11.85 | 11.96 | 12.01 | 11.89 | 11.81 | √ | | | | | |
| | 7.00±0.30 | D | 7.04 | 7.09 | 7.12 | 6.89 | 6.96 | √ | | | | | |
| | 2.50±0.38 | D | 2.54 | 2.58 | 2.62 | 2.46 | 2.42 | √ | | | | | |
| | 16.20±0.38 | D | 16.11 | 16.08 | 16.02 | 16.26 | 16.29 | √ | | | | | |
| | 18.10±0.30 | D | 17.98 | 18.05 | 18.16 | 18.21 | 18.04 | √ | | | | | |
| | 30.65±0.30 | D | 30.60 | 30.71 | 30.69 | 30.75 | 30.58 | √ | | | | | |
| | 5.50±0.30 | D | 5.58 | 5.45 | 5.53 | 5.50 | 5.48 | √ | | | | | |
| | 10.00±0.30 | D | 10.01 | 10.06 | 10.12 | 9.97 | 9.94 | √ | | | | | |
| | 6.80±0.20 | D | 6.85 | 6.83 | 6.75 | 6.81 | 6.78 | √ | | | | | |
| | 2.60±0.20 | D | 2.55 | 2.58 | 2.61 | 2.64 | 2.66 | √ | | | | | |
| | 2.00±0.20 | D | 2.11 | 2.04 | 1.96 | 1.98 | 2.02 | √ | | | | | |
| | 7.00±0.20 | D | 7.03 | 7.06 | 7.08 | 6.97 | 6.94 | √ | | | | | |
| | 2.62±0.20 | D | 2.73 | 2.71 | 2.66 | 2.62 | 2.60 | √ | | | | | |
| | 13.50±0.30 | D | 13.45 | 13.48 | 13.51 | 13.56 | 13.58 | √ | | | | | |
| 2.50±0.20 | D | 2.55 | 2.52 | 2.49 | 2.45 | 2.41 | √ | | | | | | |
| 8.50±0.30 | D | 8.45 | 8.51 | 8.53 | 8.42 | 8.40 | √ | | | | | | |

檢驗依據: 《工程圖紙》 《檢驗規範》 《承認書》 樣品 其它

檢測儀器:A游標卡尺 B千分尺 C厚薄儀 D投影鏡 E放大鏡 F顯微鏡 G錫爐 H插拔力器 I間位尺 J其它

品保判定: 合格Accept 退貨Reject 特采Waive 挑選Sort

核准: 欠必鋒

審核: 刘联英

檢驗員: 但芬



电镀报告表

| | |
|------------------------|--------|
| 品名:双层USB+MINI-DIN (外壳) | 版次:A.0 |
|------------------------|--------|

| | | |
|------------------|---------------|--------|
| 电镀规格:Ni:50u" min | 日期:2021/12/17 | 页次:1/1 |
|------------------|---------------|--------|

厂商:金和源

测试设备:CMI X-射线膜厚测试仪

1、表层电镀测试 (Ni)

| 数据 | 测试标准 | 实测值 | 判定 | 测试日期 | 测试时间 |
|----|---------|--------|----|------------|----------|
| 1 | 50u"min | 55.3u" | OK | 2021/12/17 | 10:42:14 |
| 2 | 50u"min | 57.6u" | OK | 2021/12/17 | 10:42:16 |
| 3 | 50u"min | 56.4u" | OK | 2021/12/17 | 10:42:18 |
| 4 | 50u"min | 52.5u" | OK | 2021/12/17 | 10:42:20 |

核准: 欠必锋

审核: 刘联英

检验员: 但芬

电镀报告表

| | | | | | |
|-----------------------------------|----------|---------------|--------|------------|----------|
| 品名:双层USB+MINI-DIN (端子) | | | | | |
| 电镀规格:Ni40u", Sn40u"MIN , Au G/Fu" | | 日期:2021/12/17 | 页次:1/1 | | |
| 厂商:同华 | | | | | |
| 测试设备:CMI X-射线膜厚测试仪 | | | | | |
| 1、底层电镀测试 (Ni) | | | | | |
| 数据 | 测试标准 | 实测值 | 判定 | 测试日期 | 测试时间 |
| 1 | 40u"MIN | 45.3u" | OK | 2021/12/17 | 13:50:12 |
| 2 | 40u"MIN | 48.5u" | OK | 2021/12/17 | 13:50:14 |
| 3 | 40u"MIN | 44.2u" | OK | 2021/12/17 | 13:50:16 |
| 4 | 40u"MIN | 45.6u" | OK | 2021/12/17 | 13:50:18 |
| 2、表层电镀测试 (Sn) | | | | | |
| 数据 | 测试标准 | 实测值 | 判定 | 测试日期 | 测试时间 |
| 1 | 40u"MIN | 43.3u" | OK | 2021/12/17 | 14:10:36 |
| 2 | 40u"MIN | 42.4u" | OK | 2021/12/17 | 14:10:38 |
| 3 | 40u"MIN | 46.7u" | OK | 2021/12/17 | 14:10:40 |
| 4 | 40u"MIN | 43.1u" | OK | 2021/12/17 | 14:10:42 |
| 3、表层电镀测试 (Au) | | | | | |
| 数据 | 测试标准 | 实测值 | 判定 | 测试日期 | 测试时间 |
| 1 | 0.5u"MIN | 0.56u" | OK | 2021/12/17 | 14:18:20 |
| 2 | 0.5u"MIN | 0.58u" | OK | 2021/12/17 | 14:18:22 |
| 3 | 0.5u"MIN | 0.59u" | OK | 2021/12/17 | 14:18:24 |
| 4 | 0.5u"MIN | 0.57u" | OK | 2021/12/17 | 14:18:26 |

核准: 欠必锋

审核: 刘联英

检验员: 但芬

盐水喷雾实验报告

| | | | |
|--------|----------------------------------|--------|----------------------|
| 试验方法 | 盐水喷雾腐蚀试验法 | 参考资料 | MIL-STD-1216 |
| METHOD | NEUTRL SALT SPRAY CORROSION TEST | REF | |
| 客户 | / | 试验起始日期 | 2021年12月20日 08:00 时起 |
| | | DATE | 2021年12月21日 20:00 时止 |
| 样品名称 | 双层USB+MINI-DIN | 试验数量 | 5PCS |
| P/N | MD81-9420-G87 | | |

试验条件 (TEST CONDITION)

- 1、盐水溶解 (SALT SOLUTION: 浓度 $50 \pm 10\text{g/L}$, PH值6.5-7.2).
- 2、试验室温度 (TEMP. IT THE SPRAY DHAMBR): $35 \pm 1^\circ\text{C}$.
- 3、盐水桶温度 (TEMP. OF SALE SOL' N TANK): $35 \pm 1^\circ\text{C}$.
- 4、压力桶温度 (TEMP. OF SAR SUPPLIERY): $47 \pm 1^\circ\text{C}$.
- 5、试验室相对湿度 (R. H IN THE CHAMBER) 85%.
- 6、压缩空气压力 (COMPRESSED AIR PRESSURE): $1.00 \pm 0.01\text{Kg/cm}^2$.
- 7、样品放置位置 (SPECIMEN SUPPORTED ANGLE): 尼龙绳吊挂 $70^\circ - 90^\circ$.
- 8、喷雾收集量 (COLLECT RATE OF SALT SOL' N) $1-2\text{mL}/(8 \text{ cm}^2\text{hr})$.
- 9、盐雾测试时间: 12小时 (H)

判定方法 (ADFUSGD METHOD)

试验后以20倍放大镜观察、无蓝、绿色腐蚀物之现象 (不包含折弯处), 即判定合格. (Inspext the ecimen at 20 xmagnification no blue or green corrosion products are acceptable)

| 样品序号 | 试验后现象 | 判定 |
|------|-----------------------|---------|
| | PHENOMENON AFTER TEST | COMMENT |
| 1 | 无蓝、绿色腐蚀物之现象 | OK |
| 2 | 无蓝、绿色腐蚀物之现象 | OK |
| 3 | 无蓝、绿色腐蚀物之现象 | OK |
| 4 | 无蓝、绿色腐蚀物之现象 | OK |
| 5 | 无蓝、绿色腐蚀物之现象 | OK |
| | | |
| | | |
| | | |

核准: 欠必锋

审核: 刘联英

试验员: 但芬

鉅鼎銅材廠檢驗報告單

| | | | | | | | | | | |
|------------------------------|--------------------------|----------------------|--------------------------------|------------------------|-----------------------------------|-----------------------------|--------------------------------------|-----------------------|------|----|
| 公司名稱 Customer | 鉅鼎銅材廠檢驗報告單 | | | | 重量 Weight(kg) | 1078 | 出貨日期 Date | 2021/11/23 | | |
| 品名 Article | 標準 Standard No | | | | 尺寸 Dimension | | 狀態 Tenper | 銅卷編號 Coil No | | |
| C2680 | JISH3100:2017 | | | | 0.18*400 | | EH | 1021-C-08 | | |
| 化學成分Chemical Compositions(%) | | | | | | | | | | |
| 元素 Element | Cu % | Zn% | Pb% | Fe% | \ | \ | \ | \ | 化學成分 | 雜質 |
| 規範 Spec | 64.0-68.0 | 餘量 | <0.05 | <0.05 | \ | \ | \ | \ | 合格 | 合格 |
| 實測 Actual | 64.32 | 餘量 | 0.0036 | 0.0136 | \ | \ | \ | \ | 合格 | 合格 |
| 機械性質Mechanical Properties | | | | | | | | | | |
| 項目 Item | 結晶粒度 Grain Size Mm | 硬度 Hardness Hv | 抗拉強度 TensionStrength Mpa | 伸長度 Elongation % | 導電率 Electrical Conduc %IACS | 彎曲試驗 Bending Test 180 | 表面粗度 Surface Roughness Ra(u m) | 彎曲度 Camber mm/n | | |
| 規範MAX Spec | \ | 170-190 | 490-610 | \ | \ | \ | \ | \ | | |
| 實測 Actual | \ | 178 | 574 | 5 | \ | \ | \ | \ | | |

品質部


 聯繫電話:0755-28111847
 傳真: 0755-28110077
 送貨專用章

材 质 证 明

兹有我司邦奇塑料科技有限公司为贵司所提供的产品不防火原料 PBT 不防火加纤 15%300C-1 蓝，由以下物质组成：

物品名称：PBT 不防火加纤 15%300C-1 蓝色

| | |
|---------------|-----------|
| 组成物质：PBT 环保树脂 | 65-75% |
| 玻纤 | 15% |
| 增韧剂 | 5% |
| 润滑剂 | 0.2% |
| 抗氧化剂 | 0.2%-0.3% |
| 偶联剂 | 0.3% |
| 其他 | 0.5% |

建议成型：

1. 烘干温度 120-140℃
2. 烘干时间 2-4 小时
3. 成型温度 240-260℃

特此证明！

东莞市邦奇塑料科技有限公司



产品质量证明书

PRODUCT INSPECTION CERTIFICATE

| | | | | | | | | | |
|-----------------------|-------------|----------------------|-----------------|-------------------------|----------------|---------------|-----------------|------------------------|----------|
| 合同号码: Contract No. | 20131014003 | 等级: Grade | 1A | 品名: Commodity | 不锈钢冷轧钢带 (COIL) | 牌号: Type | SUS304-CSP 1/2H | 钢卷编号: Serial number | 13092820 |
| 订货方: Order | YU HUA | 标准: Specification | JIS G 4313-1996 | 表面加工: Surface Finish | 2B 亮 | 发行日期: Date | 2013-10-15 | | |
| 供货方: Supplier | 东莞鑫发 | | | | | | | | |

| 序号 No. | 产品牌号 Product name | 产品尺寸 Product Size | | | | | 拉伸试验 Tensile Test | | | 表面硬度 Hardness HV | 化学成分 Chemical Composition(%) | | | | | | |
|-----------|----------------------|-----------------------|-------------------|-------------------|-------------------|--------------------|-----------------------------------|-----------------------------------|----------------|------------------------|---------------------------------|-------------------|-------------------|------------------|------------------|---------------------|----------------------|
| | | 厚度 Thickness mm | 宽度 Width mm | 长度 Length m | 卷数 Number C | 重量 Weight Kg | 降伏强度 N/mm ² ≥470 | 抗拉强度 N/mm ² ≥780 | 延伸率 % ≥6 | | 碳 C ≤0.080 | 硅 Si ≤1.000 | 锰 Mn ≤2.000 | 磷 P ≤0.045 | 硫 S ≤0.030 | 镍 Ni 8.0-10.5 | 铬 Cr 18.0-20.0 |
| 1 | SUS304-CSP 1/2H | 0.3 | 410 | COIL | 1 | 1102.3 | 625 | 836 | 7 | 280 | 0.072 | 0.490 | 1.212 | 0.042 | 0.002 | 8.100 | 18.020 |

备注:(Remarks):

- 尺寸和表面:合格
Size and Surface:Guaranteed
- 拉伸试验:方法符合JISZ2241标准;试样规格为JISZ2201 5号
Tensile Test:Technique accord with JIS Z 2241;
Sample Specification accord with No.5 of JIS Z 2201
- 硬度试验:方法符合JIS Z 2244标准
Hardness Test:Technique accord with JIS Z 2244

兹证明所列产品均符合订单和标准的制造要求
WE HEREBY CERTIFY THAT THE MATERIAL HEREIN HAS BEEN
MADE IN ACCORDANCE WITH THE ORDER AND
SPECIFICATION
*此报告仅可完全复制
*The report can only be copied completely

