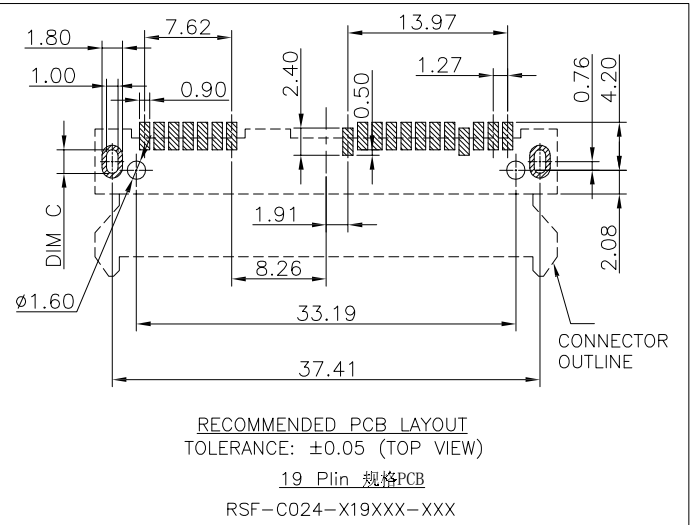
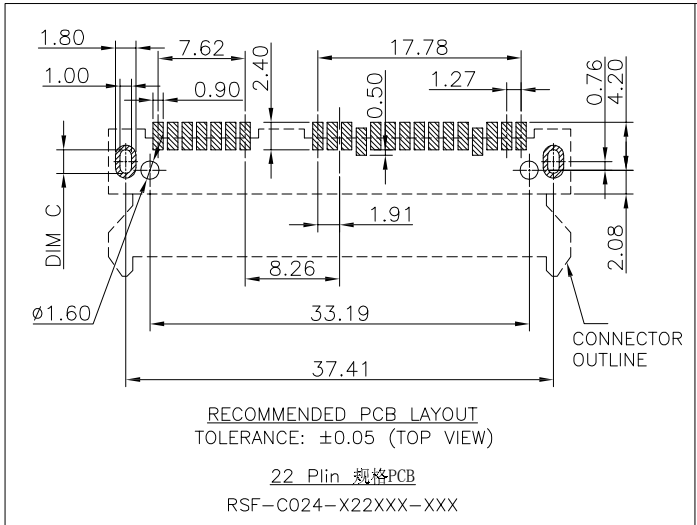


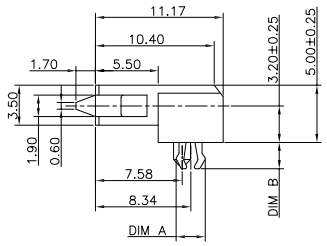
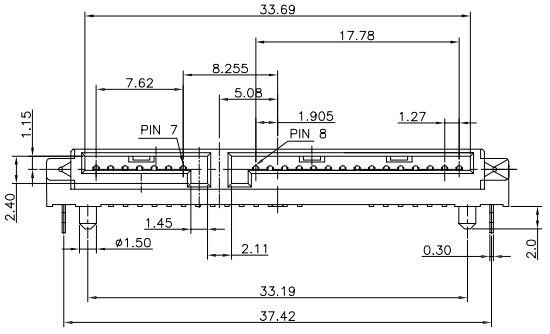
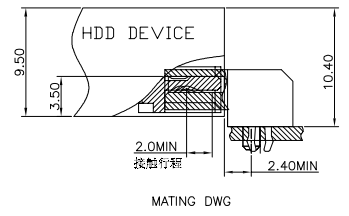
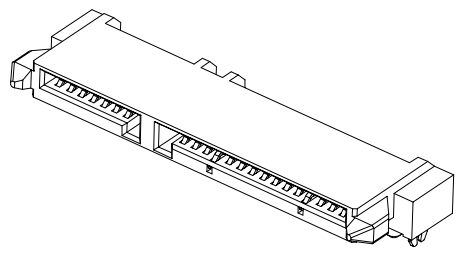
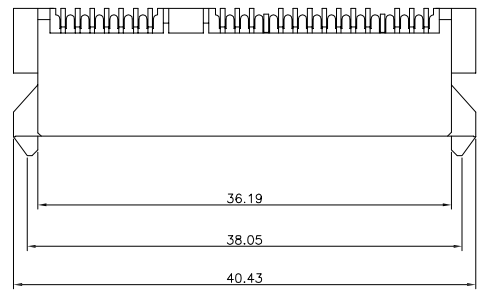
REV.	ECN.NO.	APPD.
A	/	/



- NOTE:
- MATERIAL:  
HOUSING: LCP WITH 30% GF, UL 94V-0, BLACK COLOR.  
CONTACTS: PHOSPHOR BRONZE.  
BOARDLOCKS: BRASS.
  - FINISH:  
CONTACTS: GOLD FLASH PLATED ON CONTACT AREA,  
[100 $\mu$ ] MIN. BRIGHT-TIN ON SOLDER TAIL,  
WITH ENTIRE CONTACT UNDERPLATED  
[50 $\mu$ ] MIN.. NICKEL.  
BOARDLOCKS: [100 $\mu$ ] MIN. BRIGHT-TIN OVER[50 $\mu$ ] MIN.  
NICKEL ON ENTIRE BOARDLOCK.

# ST22-1700-XX18

G: 半金G/Fu" 6:LCP黑色



TOLERANCE UNLESS OTHERWISE SPECIFIED		<b>FLW</b> 深圳市华联威电子科技有限公司			
.XXX $\pm 0.10$ .XX $\pm 0.20$ .X $\pm 0.30$		HUA LIAN WEI TECHNOLOGY ELECTRONICS CO;LTD.			
APPROVED		PART NAME:	SATA 7+15P SMT H=5.0mm 板下		
CHECKED		PART No:	ST22-1700-G618	C	
DRAWN	yangguifeng	PROJECTION:	UNIT:	SCALE:	SHEET
DATE	2021.11.15		mm	1:1	10F1
					REV. A