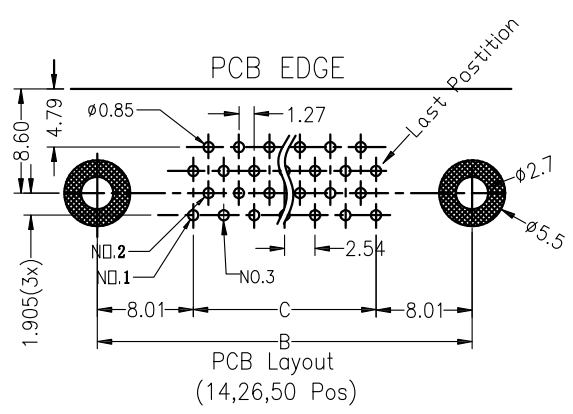
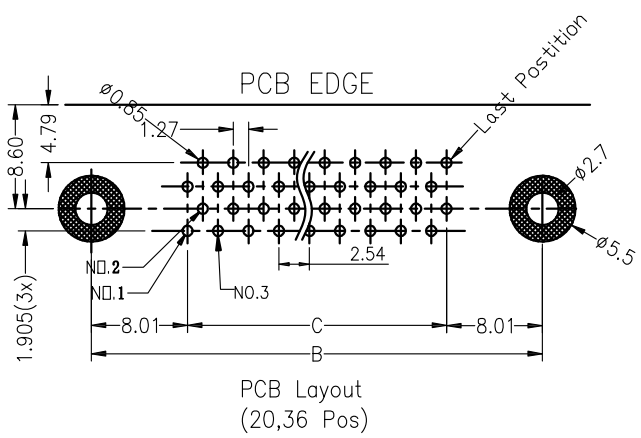
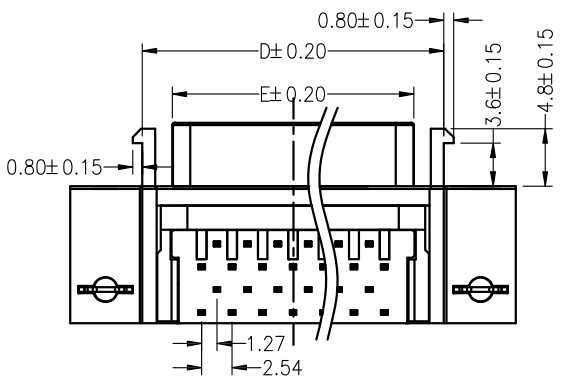
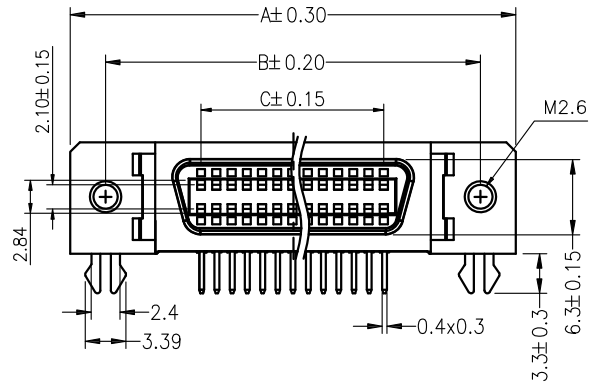


REV.	ECN.NO.	APPD.
A	EXXXXXXXXXXX	chenyiting



1.SPECIFICATION

- 2.1 Current Rate:5 Amps
- 2.2 Insulator Resistance:1000MΩ Min.
- 2.3 Dielectric Strength:500V AC PER MIN
- 2.4 Operation Temperature:-55℃~+105℃
- 2.5 Contact Resistance:30mΩ Max

DS615-0031-G217

- 1:铁壳镀镍
- G:半金G/Fu
- 2:PBT
- 1:黑色

No. of Pin	DIMENSIONS				
	A	B	C	D	E
14	29.54	23.64	7.62	17.54	12.54
20	33.35	27.45	11.43	21.35	16.35
26	37.16	31.26	15.24	25.16	20.16
36	43.51	37.61	21.59	31.51	26.51
50	52.40	46.50	30.48	40.40	35.40

TOLERANCE UNLESS OTHERWISE SPECIFIED	
.XXX ±0.10	.X ±3'
.XX ±0.20	.XX ±2'
.X ±0.30	

FLW 深圳市华联威电子科技有限公司
HUA LIAN WEI TECHNOLOGY ELECTRONICS CO.;LTD.

APPROVED		PART NAME:	D-SUB 90度弯脚14P			
CHECKED		PART No:	DS615-0031-G217		C	
DRAWN	chenyiting	PROJECTION:	UNIT:	SCALE	SHEET	REV.
DATE	2023.04.04		mm	1:1	1 OF 1	A