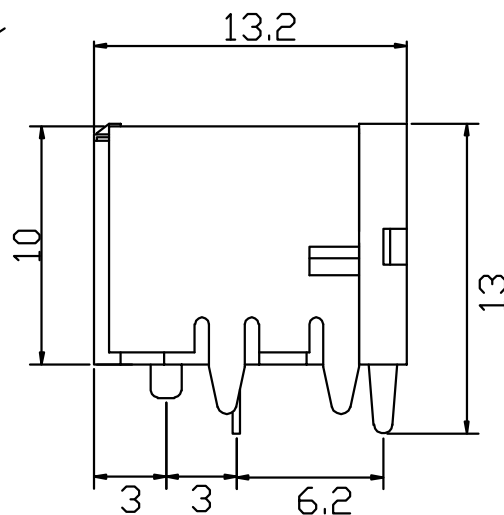
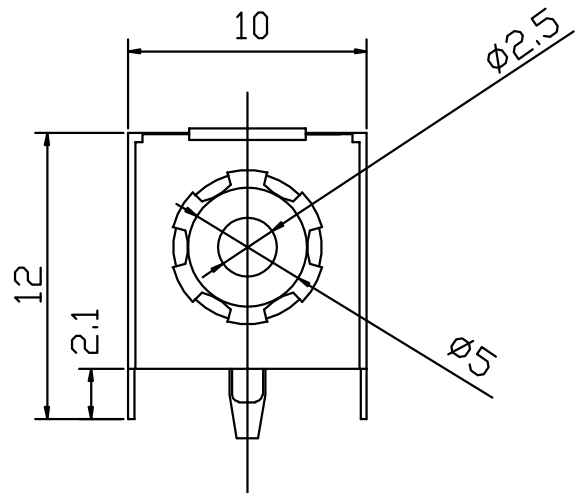
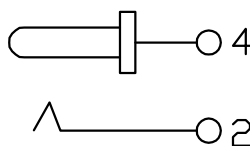
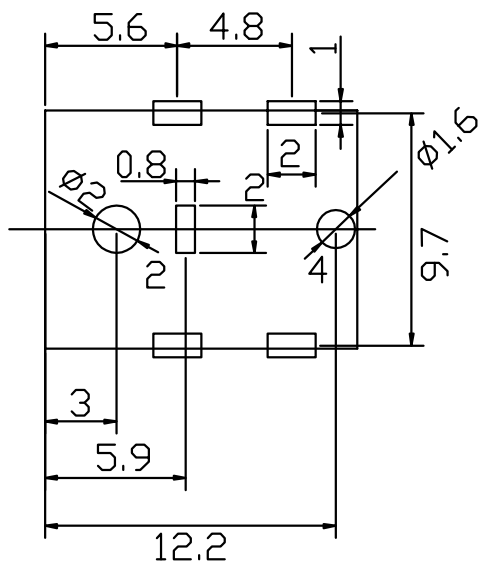


REV.	ECN.NO.	APPD.
A	/	/



- 1.CURRENT RATING : 1.0 AMP. MAX.
- 2.DIELECTRIC WITHSTANDING : AC 500V/min R.M.S.
- 3.INSULATION RESISTANCE : 100MΩ min. AT 100V DC.
- 4.CONTACT RESISTANCE : 50mΩ MAX.
- 5.OPERATING TEMPERATURE : -25°C TO +85°C.
- 6.DURABILITY : 1500 CYCLES.
- 7.MATING FORCE : 3kgs MAX
- 8.UNMATING FORCE :0.3~3.0kgs
- 9.MAX PROCESSING TEMPERATURE : 60 SECONDS IN 230°C AND 10 SECONDS IN 260°C



JK1-159-C917

C:端子镀锡

1:黑色

9:PBT

TOLERANCE UNLESS OTHERWISE SPECIFIED		FLW 深圳市华联威电子科技有限公司			
.XXX ±0.10	.X° ±3°	HUA LIAN WEI TECHNOLOGY ELECTRONICS CO.;LTD.			
.XX ±0.20	.XX° ±2°	APPROVED	PART NAME:	DC-090座子中心柱2.5	
.X ±0.30		CHECKED	PART No:	JK1-159-C917	C
		DRAWN weihong	PROJECTION:	UNIT:	SCALE SHEET REV.
		DATE 2021. 7. 23		mm	1:1 10F1 A