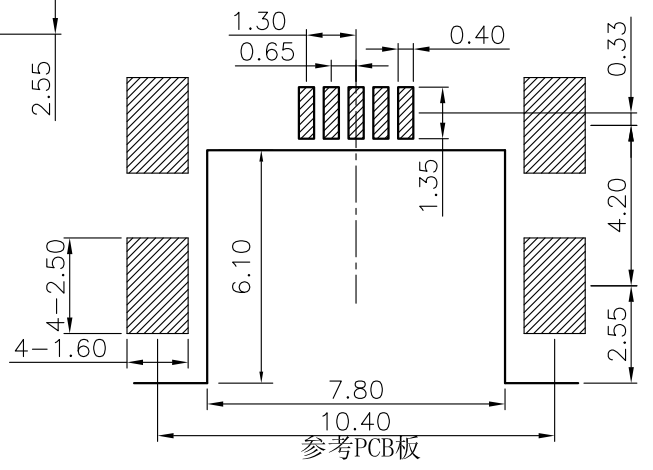
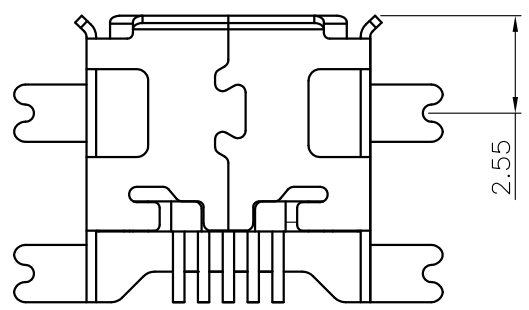
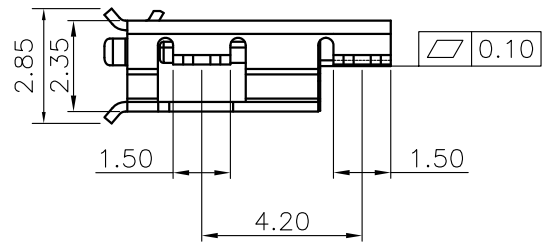
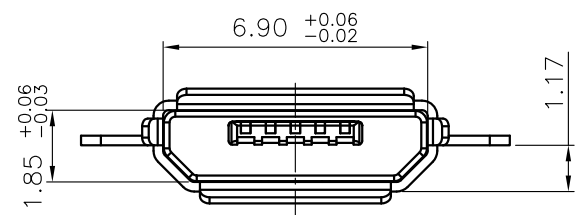
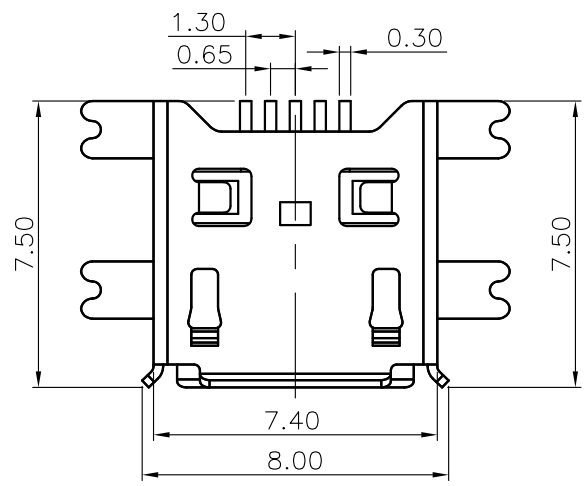
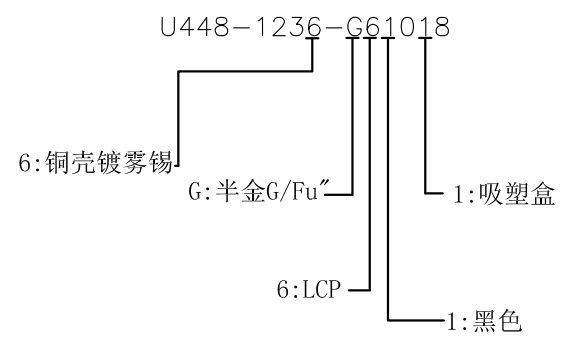


REV.	ECN.NO.	APPD.
A	XXXXXXXXXX	yangguifeng



- NOTES:
- MATERIAL:
 - Housing: thermoplastic plastics,
 - terminals: Copper Alloy
Gold plated overall
 - Shell: Steel & Copper Alloy
Nickel/Tin Plated overall
 - ELECTRICAL CHARACTERISTICS:
 - Rating Current : 1.5 Ampere
 - Rating Voltage : 30 V Max
 - Contact Resistance: 50 Milli ohms
 - Insulation Resistance: 100 Mega ohms Min.
 - MECHANICAL CHARACTERISTICS:
 - Connector Mating force: 35N MAX
 - Connector Unmating force: 7N min
 - ENVIRONMENT CHARACTERISTICS:
 - Operating temperature: -0°C to +50°C
 - Storage temperature: -20°C to +60°C



TOLERANCE UNLESS OTHERWISE SPECIFIED		FLW 深圳市华联威电子科技有限公司			
.XXX ±0.10 .XX ±0.20 .X ±0.30		HUA LIAN WEI TECHNOLOGY ELECTRONICS CO;LTD.			
.X' ±3' .XX' ±2'		PART NAME:		MICRO 5P四脚沉板1.17	
APPROVED		PART No:		U448-1236-G61018	C
CHECKED		PROJECTION:	UNIT:	SCALE:	SHEET:
DRAWN	yangguifeng		mm	1:1	1 OF 1
DATE	2021.12.01				REV. A