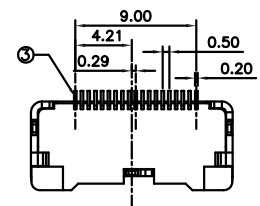
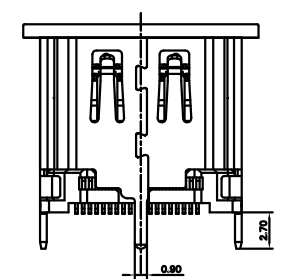
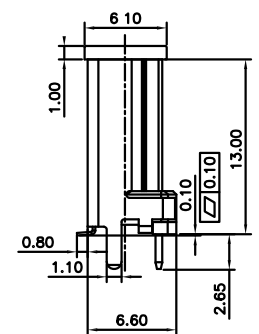
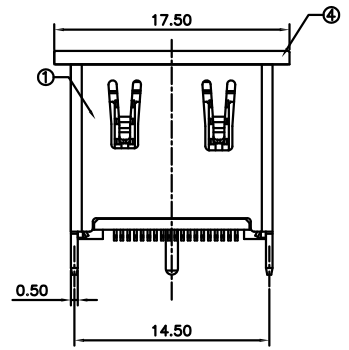
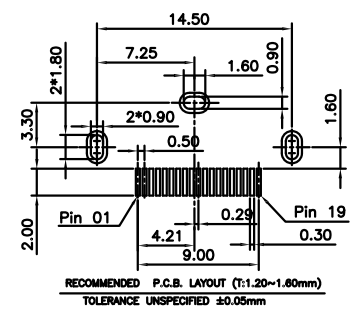
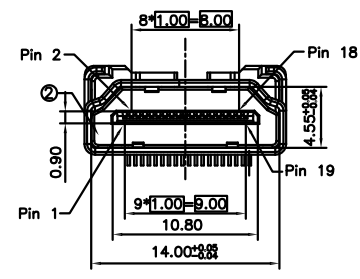


REV.	ECN.NO.	APPD.



ROHS COMPLIANCE

- NOTES:
- MATERIAL:
    - Housing:thermoplastic plastics
    - terminals:Copper Alloy  
Gold plated in contact area:  
Tin plated in termination  
Nickel Plated overall
    - Shell:Steel&Copper Alloy  
Nickel/Au Plated overall
  - ELECTRICAL CHARACTERISTICS:
    - Rating Current :0.5 Ampere
    - Rating Voltage ;40 V Max
    - Contact Resistance:30 Milli ohms
    - Insulation Resistance:100 Mega ohms Min.
  - MECHANICAL CHARACTERISTICS:
    - Connector Mating force: 4.5kg MAX
    - Connector Unmating force:1.0Kg min
    - Durability:10000Cycles.
  - ENVIRONMENT CHARACTERISTICS:
    - Operating temperature:-20℃ to +85℃
    - Storage temperature:-20℃ to +65℃

HD27-0212-161011  
 2: 铁壳镀雾锡  
 1: 1u" Au  
 1: 黑色  
 6: LCP  
 1: 吸塑盒

4	DUST COVER	1	THERMOPLASTIC UL94V-0
3	CONTACTS	19	COPPER ALLOY, GOLD PLATED OVER NICKEL ON CONTACT AREA AND 100u" MIN. TIN PLATED OVER NICKEL ON SOLDER TAILS
2	HOUSING	1	THERMOPLASTIC UL94V-0
1	SHELL	1	SPCC,NICKEL PLATED
TEM	NAME	Q'TY	NOTES

TOLERANCE UNLESS OTHERWISE SPECIFIED		<b>FLW</b> 深圳市华联威电子科技有限公司			
.XXX ±0.15 .XX ±0.20 .X ±0.30		HUA LIAN WEI TECHNOLOGY ELECTRONICS CO;LTD.			
.X' ±5' .XX' ±2'		PART NAME: HDMI 19P 180度三插脚带防尘塞板上13.00			
APPROVED		PART No:		HD27-0212-161011	
CHECKED		PROJECTION:		UNIT:	C
DRAWN	ZFY	SCALE:	SHEET:	REV.	
DATE	2018.12.04	mm	1:1	10F1	A