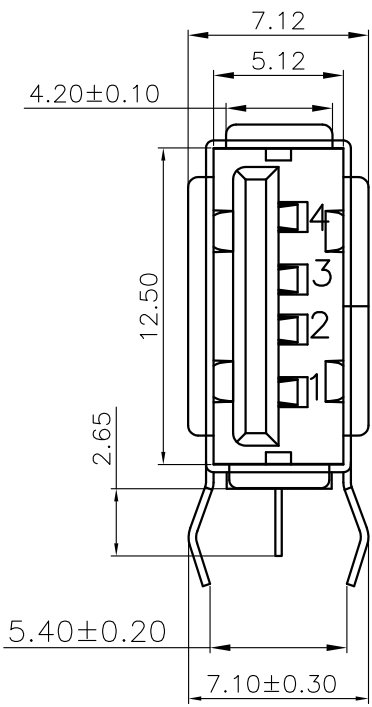
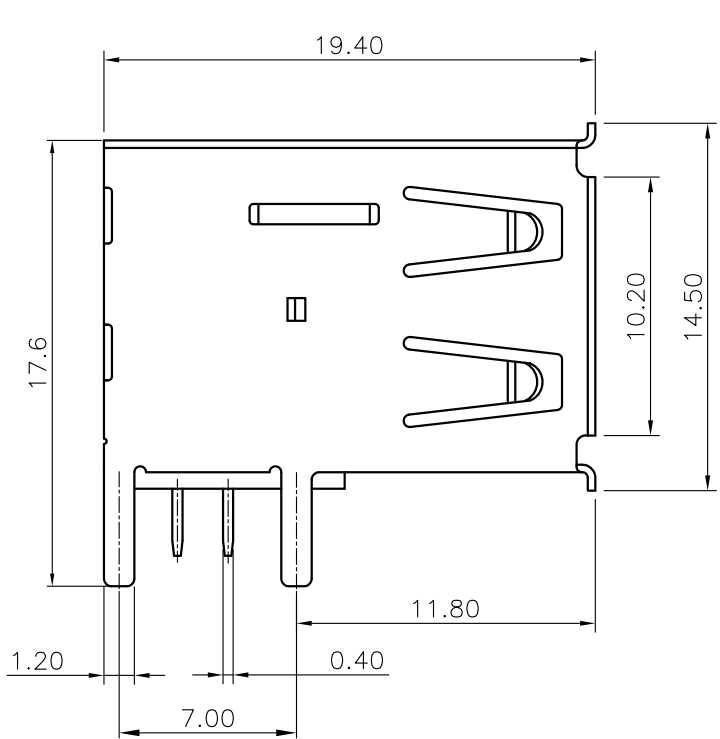
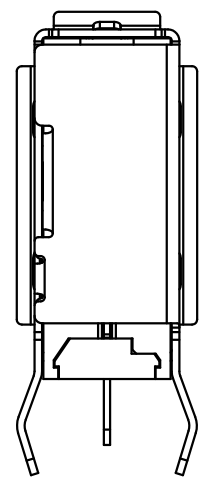
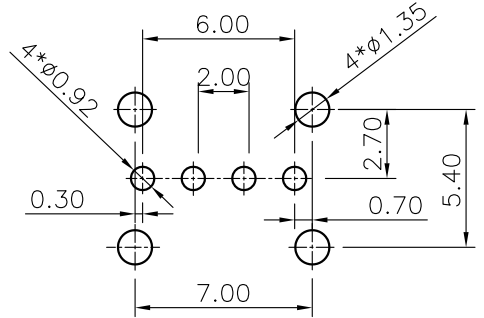
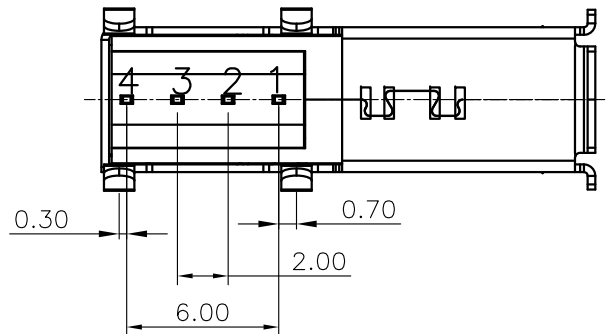


REV.	ECN.NO.	APPD.
A	/	pcy
B	/	WZ
C	/	chenyiting



- NOTES:
- MATERIAL:
 - Housing:thermoplastic plastics
 - terminals:Copper Alloy
Gold plated in contact area:
Tin plated in termination
Nickel Plated overall
 - Shell:Steel&Copper Alloy
Nickel Plated overall
 - ELECTRICAL CHARACTERISTICS:
 - Rating Current :1.5 Ampere
 - Rating Voltage :30 V Max
 - Contact Resistance:30 Milli ohms
 - Insulation Resistance:1000 Mega ohms Min.
 - MECHANICAL CHARACTERISTICS:
 - Connector Mating force: 35N MAX(3.57Kgf)
 - Connector Unmating force:10N min(1.02Kgf)
 - Durability:1500Cycles.
 - ENVIRONMENT CHARACTERISTICS:
 - Operating temperature:-0°C to +50°C
 - Storage temperature:-20°C to +60°C



PCB.LAYOUT

U226-1425-12101R

- 5:铜壳镀镍
- 1:1u" Au
- 1:吸塑盒
- 1:黑色
- 2:PBT

TOLERANCE UNLESS OTHERWISE SPECIFIED		FLW 深圳市华联威电子科技有限公司			
.XXX ±0.10	.XX ±0.20	.X ±0.30	HUA LIAN WEI TECHNOLOGY ELECTRONICS CO;LTD.		
.XX ±0.20	.X ±0.30	.X' ±3'			
.X ±0.30	.XX' ±2'				
APPROVED		PART NAME:	USB AF 侧插长体有塞卷边L=10.20		
CHECKED		PART No:	U226-1425-12101R	C	
DRAWN	chenyiting	PROJECTION:	UNIT:	SCALE:	SHEET
DATE	2023.03.24		mm	1:1	10F1
				REV.	C