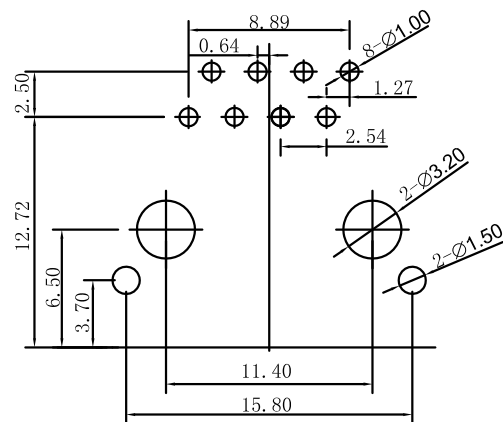
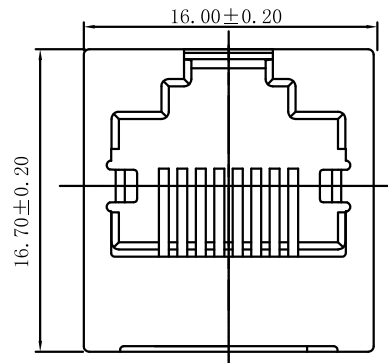
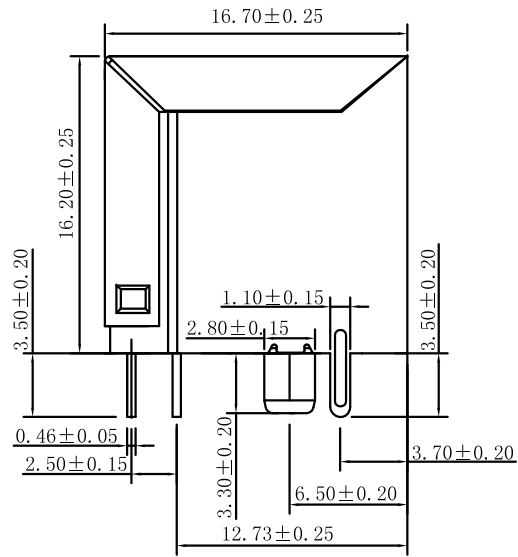
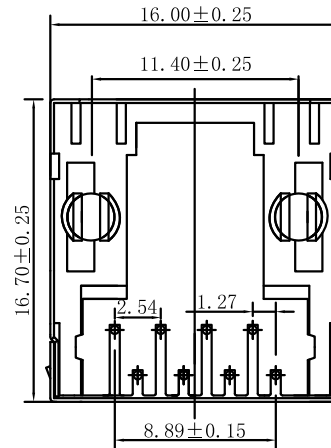


REV.	ECN.NO.	APPD.
A0	/	/



P. C. B参考图  
(建议板后1.6mm)



NOTES:

- 1.MATERIAL:
  - 1.1 Housing:thermoplastic plastics
  - 1.2 terminals:Copper Alloy  
Gold plated in contact area:  
OR Gold Plated overall
  - 1.3 Shell:Steel&Copper Alloy  
Nickel/Tin Plated overall
- 2.ELECTRICAL CHARACTERISTICS:
  - 2.1 Rating Current :1.5 Ampere
  - 2.2 Rating Voltage :125 V Max
  - 2.3 Contact Resistance:50 Milli ohms
  - 2.4 Insulation Resistance:500 Mega ohms Min.
- 3.MECHANICAL CHARACTERISTICS:
  - 3.1 Connector Mating force: 2.27kgf MAX
  - 3.2 Durability:750Cycles.
- 4.ENVIRONMENT CHARACTERISTICS:
  - 4.1 Operating temperature:-40℃ to +85℃
  - 4.2 Storage temperature:-10℃ to +40℃

R5F0-1140F-G11018  
G:半金G/Fu"  
1:PA46  
1:吸塑盒  
1:黑色

TOLERANCE UNLESS OTHERWISE SPECIFIED		HUA LIAN WEI TECHNOLOGY ELECTRONICS CO.;LTD.				
.XXX ±0.10	.X' ±3'	HUA LIAN WEI TECHNOLOGY ELECTRONICS CO.;LTD.				
.XX ±0.20	.XX' ±2'	HUA LIAN WEI TECHNOLOGY ELECTRONICS CO.;LTD.				
.X ±0.30		HUA LIAN WEI TECHNOLOGY ELECTRONICS CO.;LTD.				
APPROVED		PART NAME:	RJ45 180° 直插全包无灯带外壳			
CHECKED		PART No:	R5F0-1140F-G11018			C
DRAWN	chenyiting	PROJECTION:	UNIT:	SCALE	SHEET	REV.
DATE	2022.10.09		mm	1:1	10F1	A0