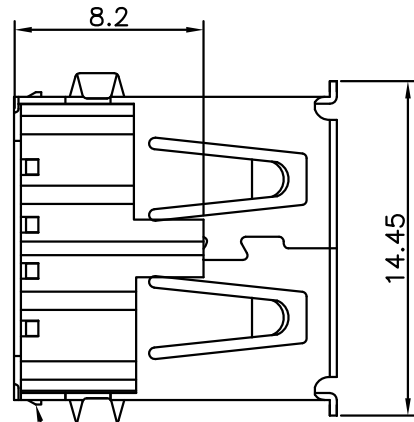
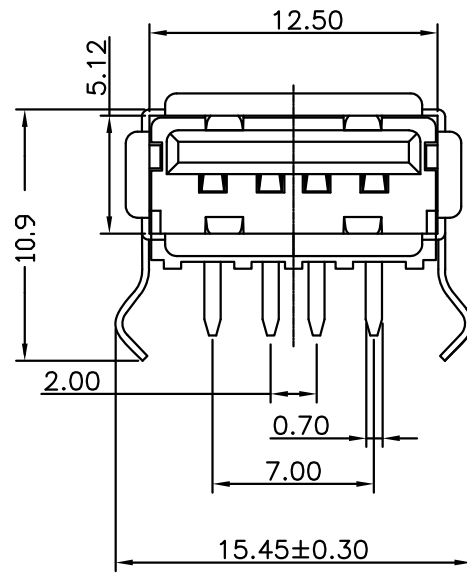
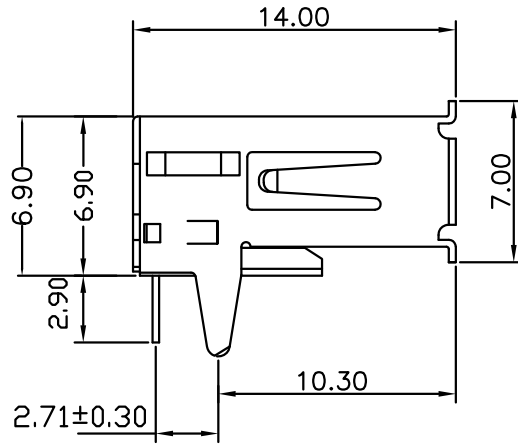
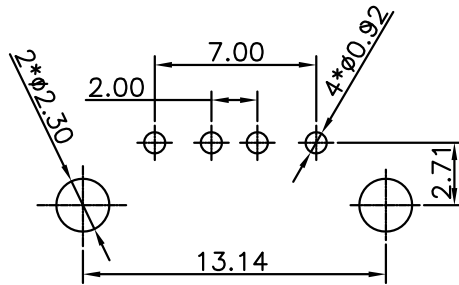


REV.	ECN.NO.	APPD.
A	/	pcy



外壳后盖内扣卡点

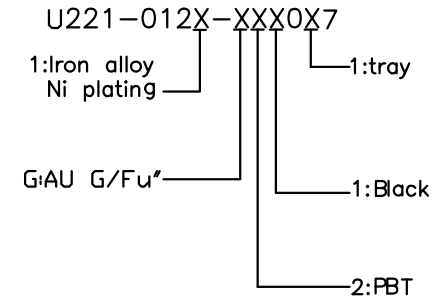


PCBLAYOUT

TOL:±0.05

NOTES:

- MATERIAL:
  - Housing:thermoplastic plastics
  - terminals:Copper Alloy  
Gold plated in contact area:  
Tin plated in termination  
Nickel Plated overall
  - Shell:Steel&Copper Alloy  
Nickel Plated overall
- ELECTRICAL CHARACTERISTICS:
  - Rating Current :1.5 Ampere
  - Rating Voltage :30 V Max
  - Contact Resistance:30 Milli ohms
  - Insulation Resistance:1000 Mega ohms Min.
- MECHANICAL CHARACTERISTICS:
  - Connector Mating force: 35N MAX(3.57Kgf)
  - Connector Unmating force:10N min(1.02Kgf)
  - Durability:1500Cycles.
- ENVIRONMENT CHARACTERISTICS:
  - Operating temperature:-0°C to +50°C
  - Storage temperature:-20°C to +60°C



TOLERANCE UNLESS OTHERWISE SPECIFIED		<b>FLW</b> 深圳市华联威电子科技有限公司			
.XXX ±0.10 .XX ±0.20 .X ±0.30		.X' ±3' .XX' ±2'		HUA LIAN WEI TECHNOLOGY ELECTRONICS CO;LTD.	
APPROVED		PART NAME:	USB AF 90度 弯脚有盖		
CHECKED		PART No:	U221-0121-G21017	C	
DRAWN	weihong	PROJECTION:	UNIT:	SCALE	SHEET
DATE	2021.07.01		mm	1:1	10F1
					REV. A0