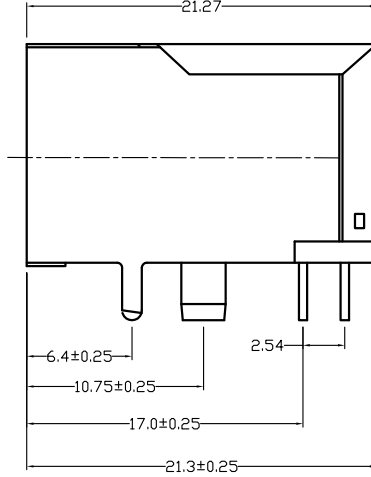
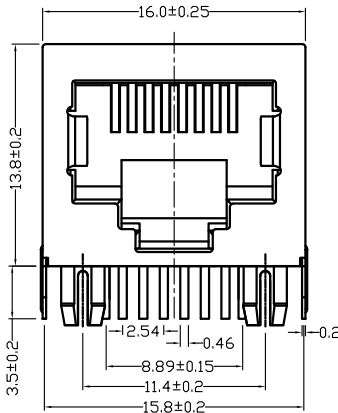
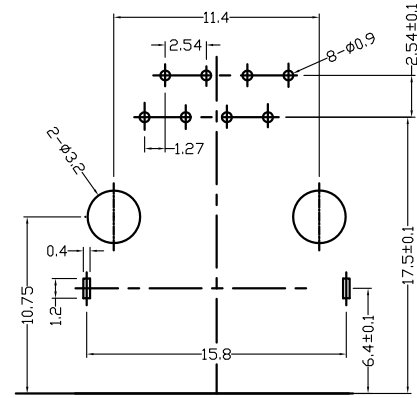
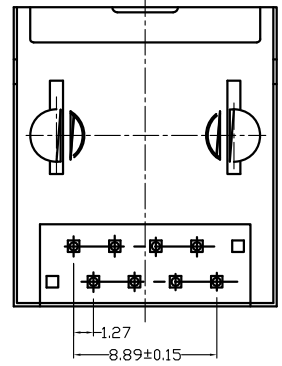


REV.	ECN.NO.	APPD.
A	/	/
A1	/	chenjianhui



- NOTES:
- MATERIAL:
 - Housing:thermoplastic plastics
 - terminals:Copper Alloy
Gold plated in contact area:
OR Gold Plated overall
 - Shell:Steel&Copper Alloy
Nickel/Tin Plated overall
 - ELECTRICAL CHARACTERISTICS:
 - Rating Current :1.5 Ampere
 - Rating Voltage :125 V Max
 - Contact Resistance:50 Milli ohms
 - Insulation Resistance:500 Mega ohms Min.
 - MECHANICAL CHARACTERISTICS:
 - Connector Mating force: 2.27kgf MAX
 - Durability:750Cycles.
 - ENVIRONMENT CHARACTERISTICS:
 - Operating temperature:-40°C to +85°C
 - Storage temperature:-10°C to +40°C



P.C.B参考图

R5F0-1240F-G31018

G:半金G/Fu" 1:吸塑盒

3:PA46 1:黑色

TOLERANCE UNLESS OTHERWISE SPECIFIED		HLW 深圳市华联威电子科技有限公司				
.XXX ±0.30	.XX ±0.20	.X ±0.10	HUA LIAN WEI TECHNOLOGY ELECTRONICS CO;LTD.			
'X' ±5°	.XX' ±2°					
APPROVED		PART NAME:	RJ45长度21mm无灯无弹外壳前脚			
CHECKED		PART No:	R5F0-1240F-G31018	C		
DRAWN	chenyiting	PROJECTION:	UNIT:	SCALE	SHEET	REV.
DATE	2023.03.13		mm	1:1	10F1	A1