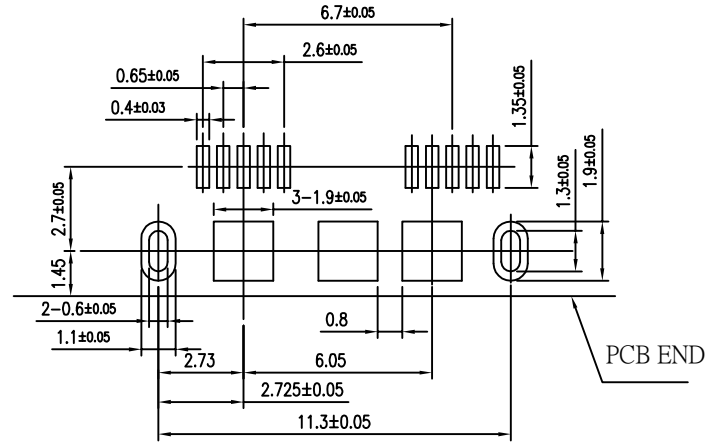
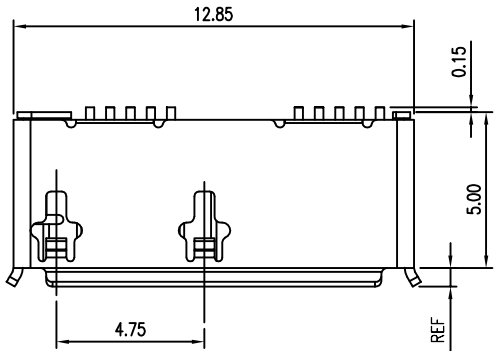
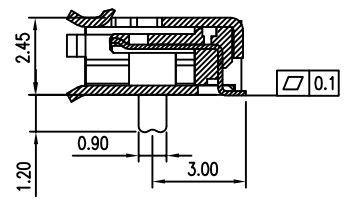


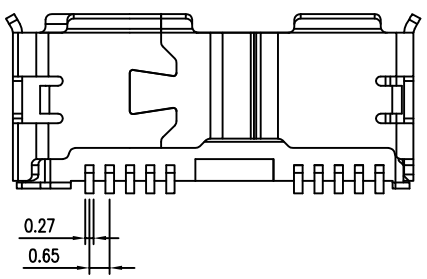
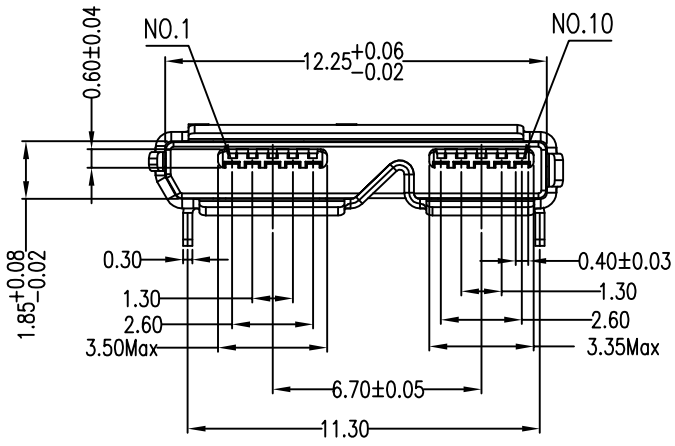
REV.	ECN.NO.	APPD.
A	XXXXXXXXXX	weihong



A-A



- NOTES:
- MATERIAL:
 - Housing: thermoplastic plastics,
 - terminals: Copper Alloy
Gold plated overall
 - Shell: Steel & Copper Alloy
Nickel/Tin Plated overall
 - ELECTRICAL CHARACTERISTICS:
 - Rating Current :1.5 Ampere
 - Rating Voltage :30 V Max
 - Contact Resistance:50 Milli ohms
 - Insulation Resistance:100 Mega ohms Min.
 - MECHANICAL CHARACTERISTICS:
 - Connector Mating force: 35N MAX
 - Connector Unmating force:7N min
 - ENVIRONMENT CHARACTERISTICS:
 - Operating temperature:-0°C to +50°C
 - Storage temperature:-20°C to +60°C



U422-012B-161018

B: 不锈钢镀镍
1: 载带
1: 半金1u"
6: LCP
1: 黑色

TOLERANCE UNLESS OTHERWISE SPECIFIED		FLW 深圳市华联威电子科技有限公司			
.XXX ±0.10		HUA LIAN WEI TECHNOLOGY ELECTRONICS CO;LTD.			
.XX ±0.20		.X' ±3'			
.X ±0.30		.XX' ±2'			
APPROVED		PART NAME:	MICRO 3.0 SMT 插脚11.3 有卷边		
CHECKED		PART No:	U422-012B-161018	C	
DRAWN	weihong	PROJECTION:	UNIT:	SCALE:	SHEET:
DATE	2022.10.09		mm	1:1	10F1
					REV. A