

REV.	ECN.NO.	APPD.
A	XXXXXXXXXX	chenyiting

Remark:

1.MATERIAL:

1.1 Housing:thermoplastic plastics.

1.2 terminals:Copper Alloy

1.3 Front Shell:Copper Alloy/SPCC.

Middle Shell:SPCC

2.characteristics:

2.1 Rating Voltage : 30V AC.

2.2 Rating Current:PIN1&PIN4(Vbus&Correponding ground PIN)

1.8A MAX Other PINS 0.25A min.

2.3 Contact Resistance:PIN1&PIN4:30 mΩ MAX. Other PINS: 50 mΩ

2.4 Insulation Resistance:100 MΩ MIN.

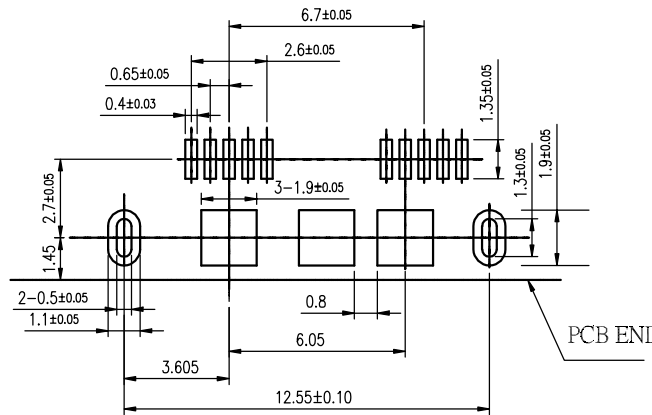
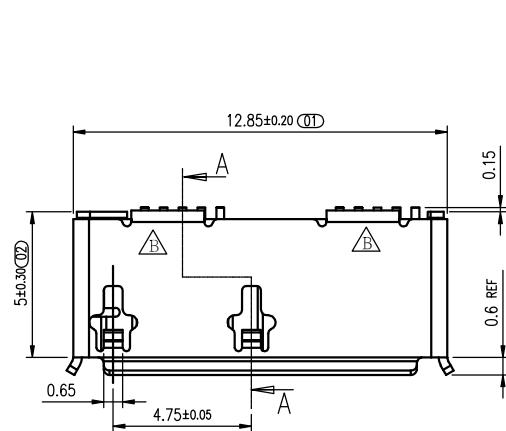
2.5 Withstanding Voltage:AC 100V between adjacent contacts

2.6 Mating force: 3.57Kgf MAX(35N MAX)

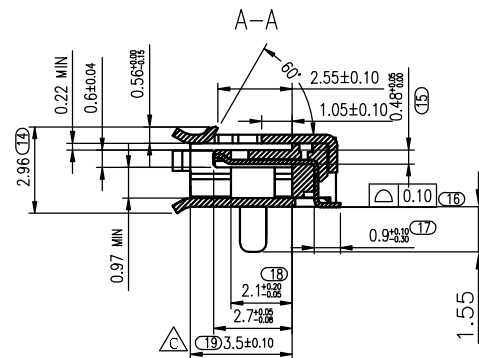
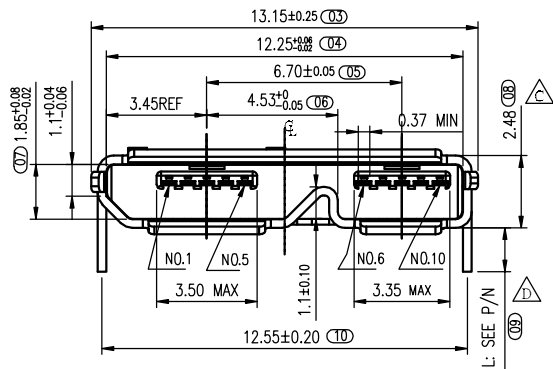
2.7 Extraction force:1Kgf Min(9.8N Min)

2.8 Life test:1500Cycles MIN.

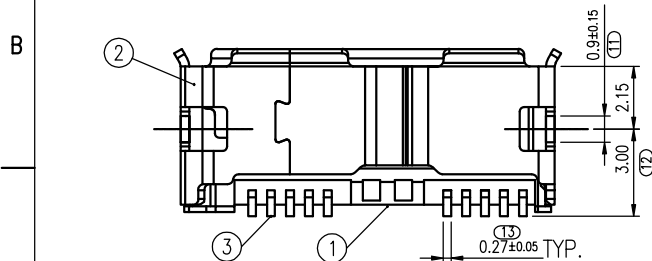
2.9 Temperature Range: -30℃~+80℃.



RECOMMENDED PCB LAYOUT



- U342-0515-G61018
- 5:铜壳镀镍
 - G:半金G/Fu"
 - 1:吸塑盒
 - 1:黑色
 - 6:LCP



Pin Number	Signal Name	Pin Number	Signal Name
1	VBUS	5	StdA_SSRX-
2	D-	6	StdA_SSRX+
3	D+	7	GND_DRAIN
4	GND	8	StdA_SSTX-
Shell	Shield	9	StdA_SSTX+

TOLERANCE UNLESS OTHERWISE SPECIFIED		HLW 深圳市华联威电子科技有限公司				
.XXX ±0.10	.XX ±0.20	.X ±0.30	.X' ±3'	.XX' ±2'	HUA LIAN WEI TECHNOLOGY ELECTRONICS CO;LTD.	
APPROVED		PART NAME:	MICRO 3.0 B TYPE 10P/F外壳脚DIP 外壳脚间距12.55mm有卷边			
CHECKED		PART No:	U342-0515-G61018			C
DRAWN	chenyiting	PROJECTION:	UNIT:	SCALE	SHEET	REV.
DATE	2023.04.07		mm	1:1	10F1	A