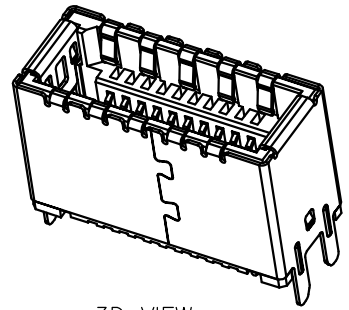
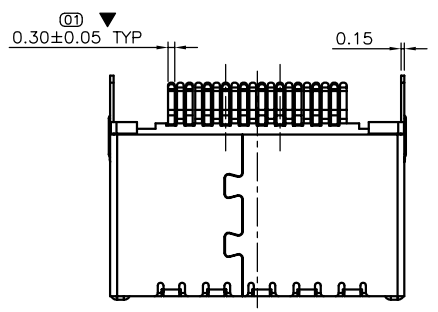
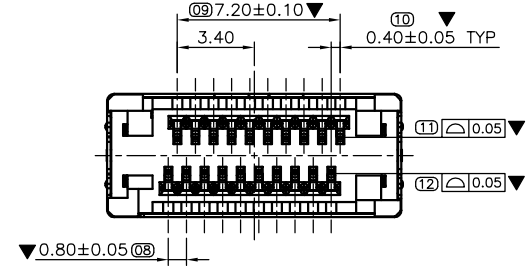
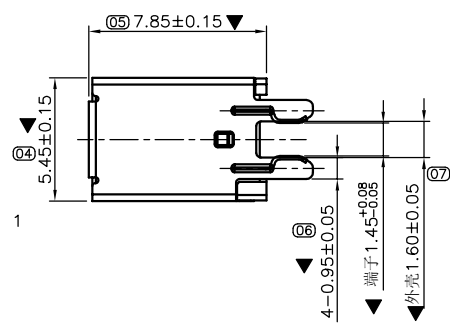
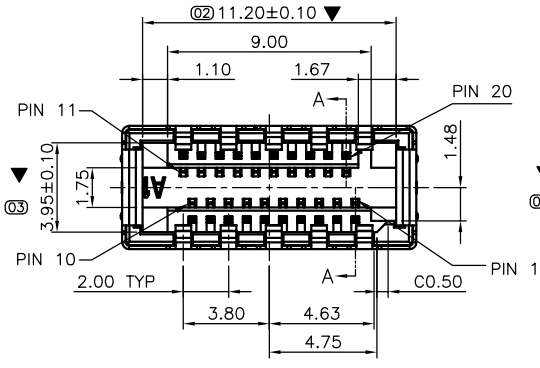


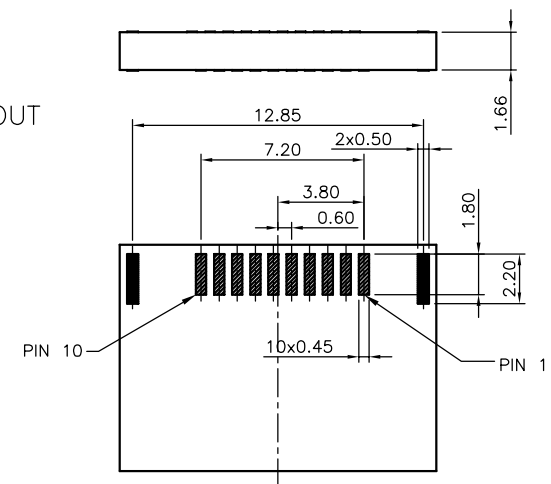
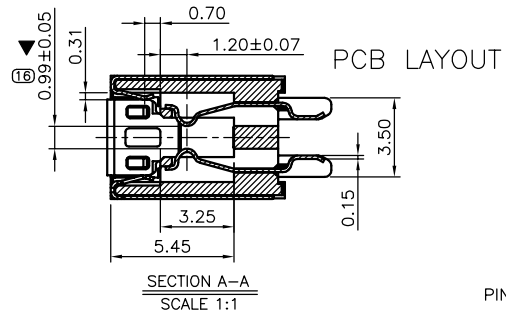
REV.	ECN.NO.	APPD.
A	EXXXXXXXXXX	yangguifeng



3D VIEW



NOTES:
 1.MATERIAL:
 1.1 Housing:thermoplastic plastics
 1.2 terminals:Copper Alloy
 Gold plated in contact area:
 Tin plated in termination
 Nickel Plated overall
 1.3 Shell:Steel&Copper Alloy
 Nickel/Au Plated overall
 2.characteristics:
 2.1 Rating Voltage : 30V AC.
 2.2 Rating Current:
 5A for Vbus PIN;1.25A for Vconn PIN
 2.3 Contact Resistance:40 mΩ MAX.
 2.4 Insulation Resistance:100 MΩ MIN.
 2.5 Withstanding Voltage:AC 100V
 2.6 Mating force: 5~20N MAX
 2.7 Extraction force:8~20N Min
 2.8 Life test:10000Cycles MIN.
 2.9 Temperature Range: -30℃~+80℃.
 The product must be compliance ROHS



U529-011B-261038
 B:不锈钢镀镍
 2:镀锡
 3:载带
 1:黑色
 6:LCP

Pin Map to support one Type-C port

P11	P12	P13	P14	P15	P16	P17	P18	P19	P20
VBUS	TX2+	TX2-	GND	RX2+	RX2-	GND	D-	D+	CC2
SBU2	SBU1	CC1	VBUS	RX1-	RX1+	GND	TX1-	TX1+	VBUS
P10	P09	P08	P07	P06	P05	P04	P03	P02	P01

Pin Map to support two Standard-A ports

P11	P12	P13	P14	P15	P16	P17	P18	P19	P20
VBUS			GND			GND	D-	D+	
			VBUS	RX1-	RX1+	GND	TX1-	TX1+	VBUS
P10	P09	P08	P07	P06	P05	P04	P03	P02	P01

MATERIAL LIST:

No.	PART NAME	QTY	MATERIAL	REMARK
4	CAP	1	LCP E130I+30%G/F	(UL94V-0) BLACK/WHITE
3	SHELL	1	SUS304-H T=0.15mm	镍底: 50U" Min: 全镀雾锡: 80~200U"
2	CONTACTS	20	C5210-EH T=0.15mm	镍底: 50U" Min: 母接区镀雾锡: 80~200U" 接触区镀金: 详见备注
1	HOUSING	1	LCP E130I+30%G/F	(UL94V-0) BLACK/WHITE
	PART NAME			
	QTY			
	MATERIAL			
	REMARK			

TOLERANCE UNLESS OTHERWISE SPECIFIED	
.XXX ±0.10	.X' ±3'
.XX ±0.20	.XX' ±2'
.X ±0.30	

FLW 深圳市华联威电子科技有限公司
 HUA LIAN WEI TECHNOLOGY ELECTRONICS CO;LTD.

APPROVED		PART NAME:	TYPE E 20P夹板1.6带定位柱			
CHECKED		PART No:	U529-011B-261038		C	
DRAWN	yangguifeng	PROJECTION:	UNIT:	SCALE	SHEET	REV.
DATE	2021.12.01		mm	1:1	1 OF 1	A