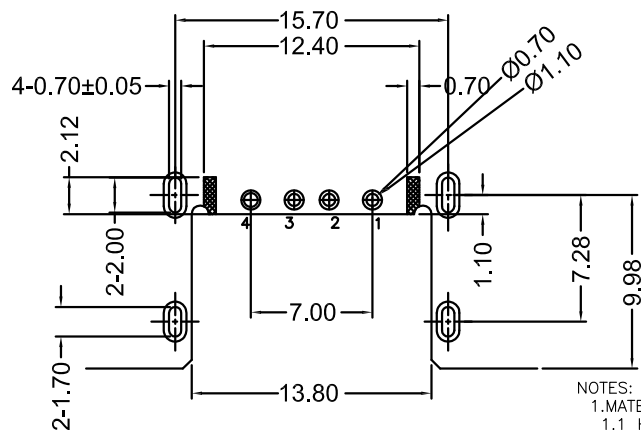
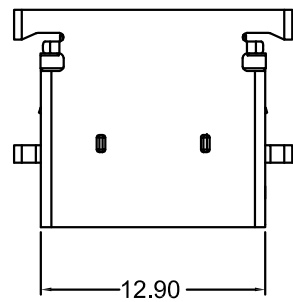
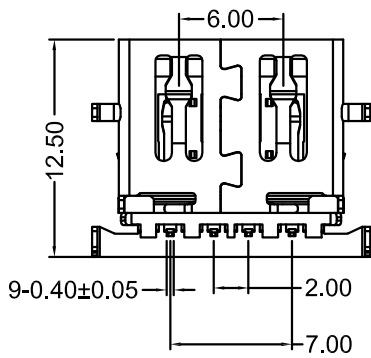
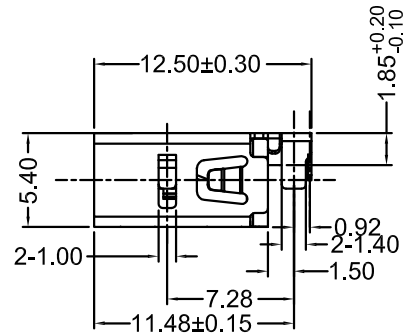
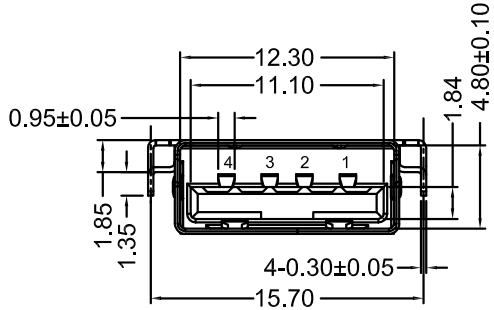


REV.	ECN.NO.	APPD.
A	/	pcy
A1	/	/



TOLERANCE:  $\pm 0.05$ , THICKNESS: 1.0~1.2mm  
**RECOMMENDED PCB LAYOUT**  
 (TOP VIEW)  
 [Hatched Area] KEEP OUT AREA

- NOTES:
- MATERIAL:
    - Housing: thermoplastic plastics
    - terminals: Copper Alloy  
Gold plated in contact area  
Tin plated in termination  
Nickel Plated overall
    - Shell: Steel & Copper Alloy  
Nickel Plated overall
  - ELECTRICAL CHARACTERISTICS:
    - Rating Current : 1.5 Ampere
    - Rating Voltage : 30 V Max
    - Contact Resistance: 30 Milli ohms
    - Insulation Resistance: 1000 Mega ohms Min.
  - MECHANICAL CHARACTERISTICS:
    - Connector Mating force: 35N MAX(3.57Kgf)
    - Connector Unmating force: 10N min(1.02Kgf)
    - Durability: 1500 Cycles.
  - ENVIRONMENT CHARACTERISTICS:
    - Operating temperature:  $-0^{\circ}\text{C}$  to  $+50^{\circ}\text{C}$
    - Storage temperature:  $-20^{\circ}\text{C}$  to  $+60^{\circ}\text{C}$



U227-233B-G61038

- B: 不锈钢壳镀镍  
 G: 半金G/Fu  
 6: LCP  
 3: 载带  
 1: 黑色

TOLERANCE UNLESS OTHERWISE SPECIFIED	
.XXX $\pm 0.10$	.X' $\pm 3'$
.XX $\pm 0.20$	.XX' $\pm 2'$
.X $\pm 0.30$	

**FLW 深圳市华联威电子科技有限公司**  
 HUA LIAN WEI TECHNOLOGY ELECTRONICS CO;LTD.

APPROVED		PART NAME:	USB 2.0 反向 沉板H=1.85 L=12.50 DIP			
CHECKED		PART No:	U227-233B-G61038			C
DRAWN	chenyiting	PROJECTION:	UNIT:	SCALE	SHEET	REV.
DATE	2023.06.28		mm	1:1	10F1	A1