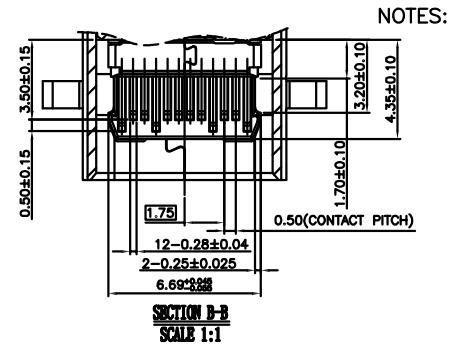
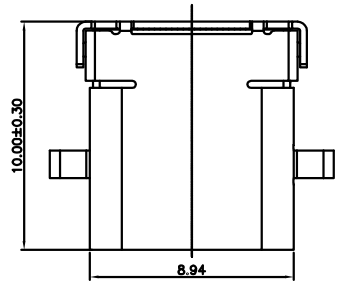
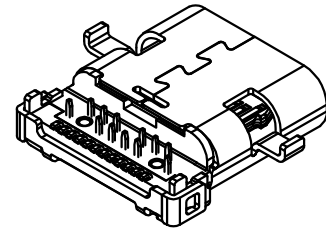
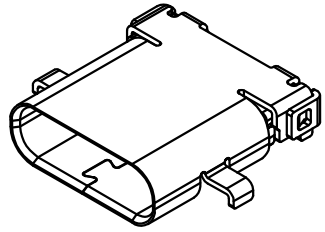


REV.	ECN.NO.	APPD.
A	/	ZFY



NOTES:



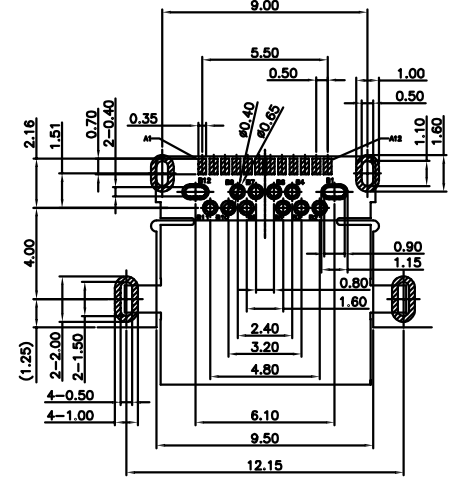
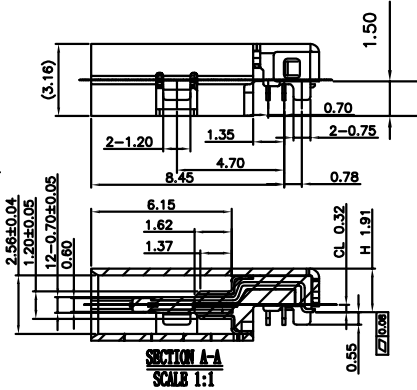
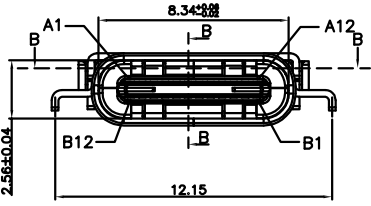
NOTES:

1.MATERIAL:

- 1.1 Housing: thermoplastic plastics
- 1.2 terminals: Copper Alloy  
Gold plated in contact area:  
Tin plated in termination  
Nickel Plated overall
- 1.3 Shell: Steel&Copper Alloy  
Nickel/Au Plated overall

2.characteristics:

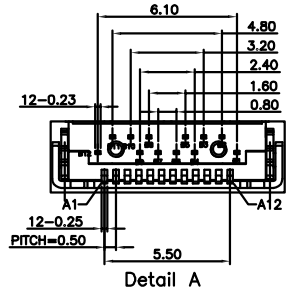
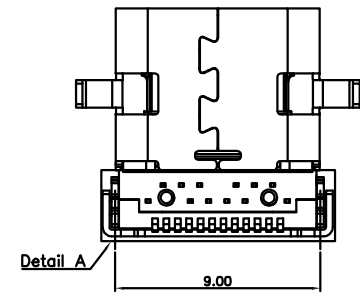
- 2.1 Rating Voltage : 30V AC.
  - 2.2 Rating Current:  
5A for Vbus PIN;1.25A for Vconn PIN
  - 2.3 Contact Resistance: 40 mΩ MAX.
  - 2.4 Insulation Resistance: 100 MΩ MIN.
  - 2.5 Withstanding Voltage: AC 100V
  - 2.6 Mating force: 5~20N MAX
  - 2.7 Extraction force: 8~20N Min
  - 2.8 Life test: 10000Cycles MIN.
  - 2.9 Temperature Range: -30℃~+80℃.
- The product must be compliance ROHS



RECOMMEND P.C.B LAYOUT (COMPONENT SIDE)  
TOLERANCE FOR PCB LAYOUT IS ± 0.05  
KEEP OUT AREA

U572-461B-G61018

- B: 不锈钢镀镍
- G: 镀半金G/Fu\*
- 1: 黑色
- 6: LCP



TOLERANCE UNLESS OTHERWISE SPECIFIED	
.XXX ±0.15	.X' ±5'
.XX ±0.20	.XX' ±2'
.X ±0.30	

**FLW** 深圳市华联威电子科技有限公司  
HUA LIAN WEI TECHNOLOGY ELECTRONICS CO;LTD.

APPROVED		PART NAME:	TYPE C 24P半插半贴10.0 沉板1.5无柱			
CHECKED		PART No:	U572-461B-G61018			C
DRAWN	ZhangFenYan	PROJECTION:	UNIT:	SCALE	SHEET	REV.
DATE	2018.10.10		mm	1:1	10F1	A