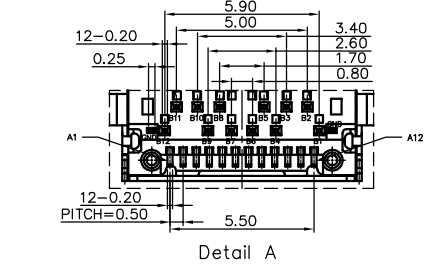
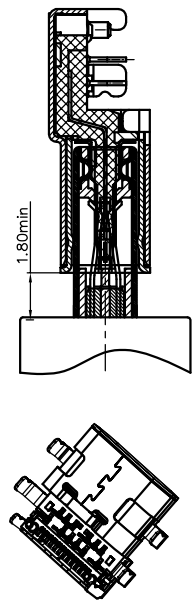
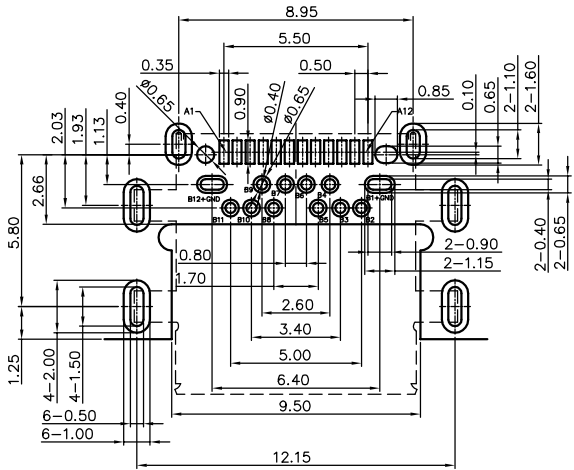
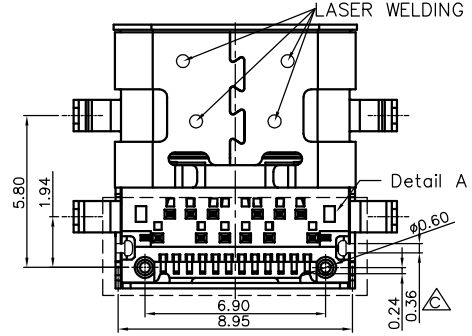
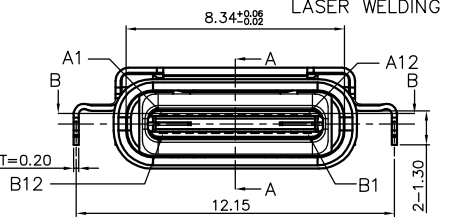
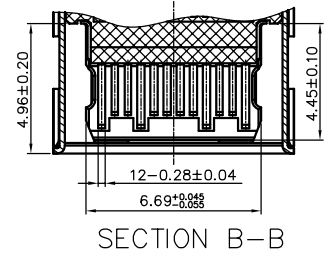
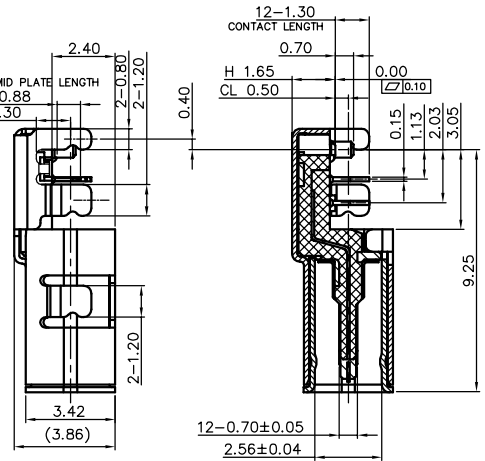
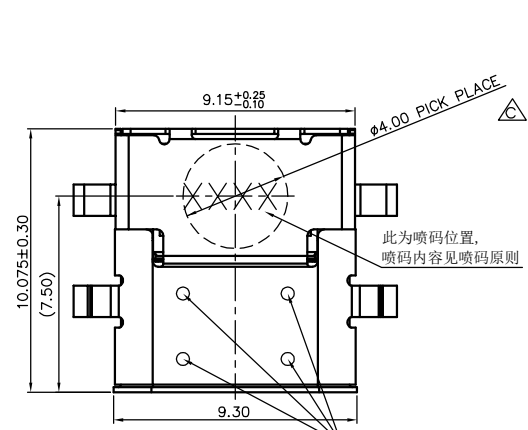


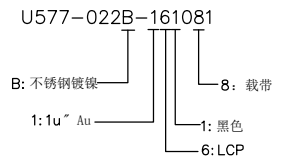
REV.	ECN.NO.	APPD.



RECOMMEND P.C.B LAYOUT (COMPONENT SIDE)  
TOLERANCE FOR PCB LAYOUT IS ± 0.05  
KEEP OUT AREA

Pin	Signal Name	Mating Sequence	Pin	Signal Name	Mating Sequence
A1	GND	First	B12	GND	First
A2	SSTXp1	Second	B11	SSRXp1	Second
A3	SSTXn1	Second	B10	SSRXn1	Second
A4	V <sub>BUS</sub>	First	B9	V <sub>BUS</sub>	First
A5	CC1	Second	B8	SBU2	Second
A6	Dp1	Second	B7	Dn2	Second
A7	Dn1	Second	B6	Dp2	Second
A8	SBU1	Second	B5	CC2	Second
A9	V <sub>BUS</sub>	First	B4	V <sub>BUS</sub>	First
A10	SSRXn2	Second	B3	SSTXn2	Second
A11	SSRXp2	Second	B2	SSTXp2	Second
A12	GND	First	B1	GND	First
SHELL	GND		SHELL	GND	

- NOTE:
- MATERIAL:
    - INSULATOR: LCP+30%GF E1301 UL 94 V-0; Black Color
    - CONTACT: C18400(T=0.15mm)
    - SHELL: SUS201 1/2H(T=0.20mm)
    - COVER SHELL: SUS316 EH(T=0.20mm)
    - INNER GROUND COVER SHELL: SUS304 1/2H(T=0.10mm)
    - MID PLATE: SUS301 1/2H(T=0.10mm)
  - ELECTRICAL CHARACTERISTICS:
    - CONTACT RESISTANCE: 40mΩ Max FOR INITIAL 10mΩ CHANGE AFTER TEST. MEASURE AT 20mA, 100mA
    - CONTACT CURRENT RATING: 5A FOR COLLECTIVELY POWER SUPPLY PIN(PIN1,A4,A9,A12,B1,B4,B9,B12); 1.25A FOR V<sub>BUS</sub> PIN; 0.25A FOR OTHER SIGNAL PIN.
    - DIELECTRIC WITHSTANDING VOLTAGE: 100V AC R.M.S.
    - INSULATION RESISTANCE 100MΩ Min
    - OPERATING TEMPERATURE: -40°C ~ 85°C
  - MECHANICAL CHARACTERISTICS:
    - MATING FORCE: 5~20 N.
    - UNMATED FORCE: 8~20N INITIAL TEST; 6~20N DURABILITY AFTER TEST
    - DURABILITY: 10,000 CYCLES
  - PLATING:
    - TERMINAL CONTACT: (SEE TAB)GOLD PLATING ON CONTACT AREA, ALL OVER 50u" Min NICKEL AND 80u"Min Matte Tin ALL OVER 50u" Min NICKEL ON SOLDER AREA
    - SHELL: 50u" Min. NICKEL ALL OVER.
    - COVER SHELL: 50u" Min. NICKEL ALL OVER.
    - INNER GROUND COVER SHELL: CLEAN.
    - MID PLATE: 50u" Min. NICKEL ALL OVER.



TOLERANCE UNLESS OTHERWISE SPECIFIED	
.XX ±0.15	.X' ±5'
.XX ±0.20	.XX' ±2'
.X ±0.30	

**HLW** 深圳市华联威电子科技有限公司  
HUA LIAN WEI TECHNOLOGY ELECTRONICS CO;LTD.

APPROVED		PART NAME:	TYPE C 24P 沉板2.4双壳前插后贴DIP+SMT			
CHECKED		PART No:	U577-022B-161081			C
DRAWN	dengshan	PROJECTION:	UNIT:	SCALE	SHEET	REV.
DATE	2020.12.29		mm	1:1	10F1	A