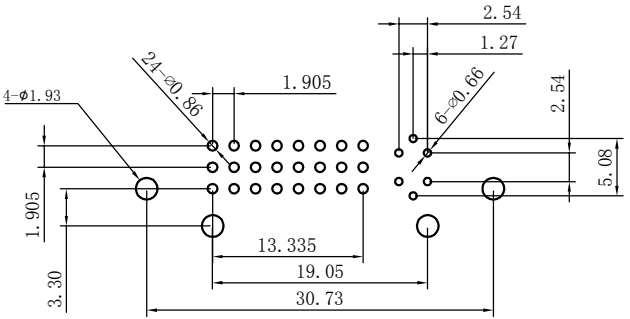
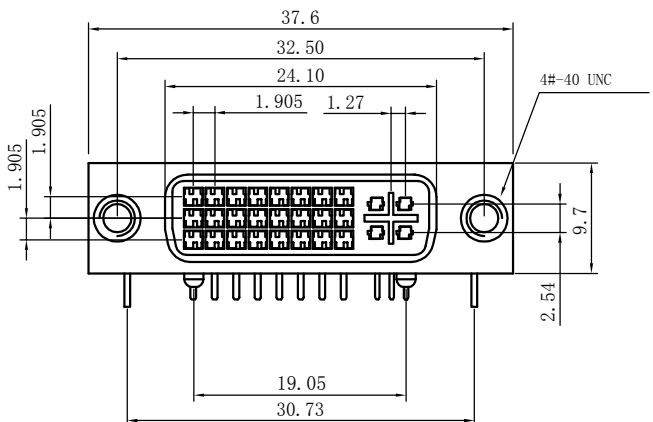


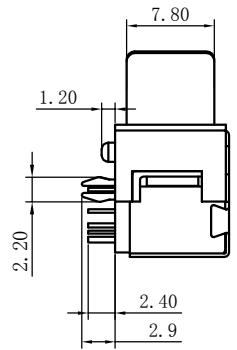
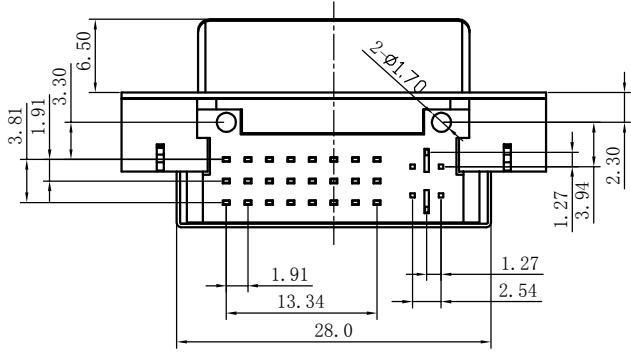
REV.	ECN. NO.	APPD.
A	EXXXXXXXXXX	yangguifeng



RECOMENDED PCB LAYOUT, THICKNESS=1.60mm
(DEFAULT TOLERANCE: ±0.05)

1. SPECIFICATION

- 2.1 Current Rate:5 Amps
- 2.2 Insulator Resistance:1000M Min. Ω
- 2.3 Dielectric Strength:500V AC PER MIN
- 2.4 Operation Temperature:-55C~+105C
- 2.5 Contact Resistance:30m Max Ω



DS413-4026-G22017
G:半金G/Fu”
2:白色
2:PBT

TOLERANCE UNLESS OTHERWISE SPECIFIED	
.XXX ±0.10	.X° ±3°
.XX ±0.20	.XX° ±2°
.X ±0.30	

HLW 深圳市华联威电子科技有限公司
HUA LIAN WEI TECHNOLOGY ELECTRONICS CO;LTD.

APPROVED		PART NAME:	DVI24+5卧式柳合母座			
CHECKED		PART No:	DS413-4026-G22017	C		
DRAWN	yangguifeng	PROJECTION:	UNIT:	SCALE	SHEET	REV.
DATE	2021.12.01		mm	1:1	1 OF 1	A